

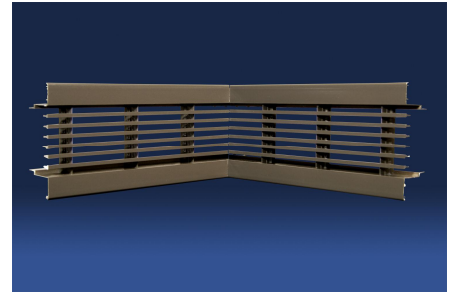
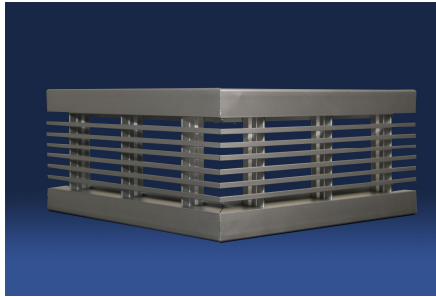
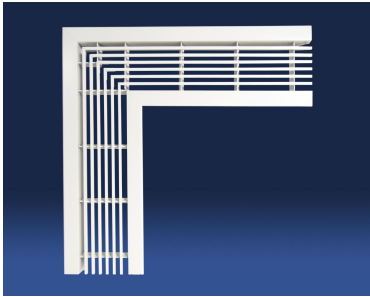
Bar Linear Mitre Corner Option

Mitre Corners

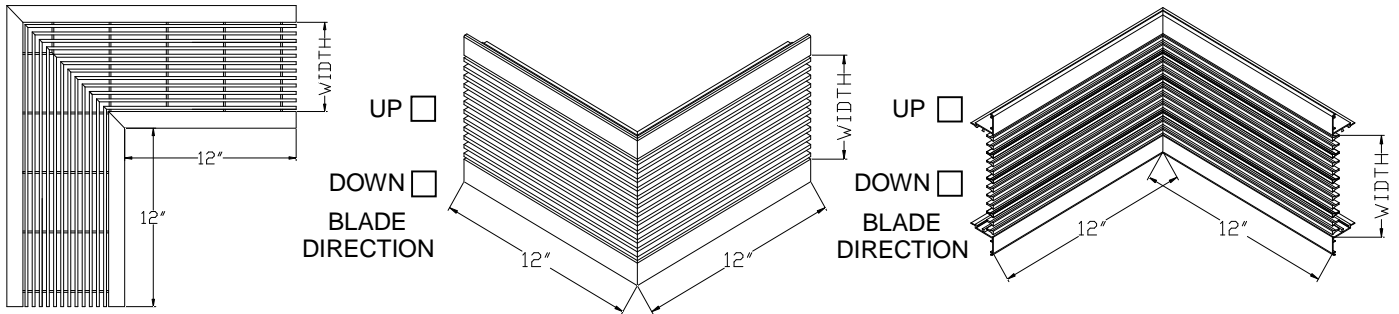
MC 90 – Ceiling or Floor

MC OS – Wall Outside Corner

MC IS – Wall Inside Corner

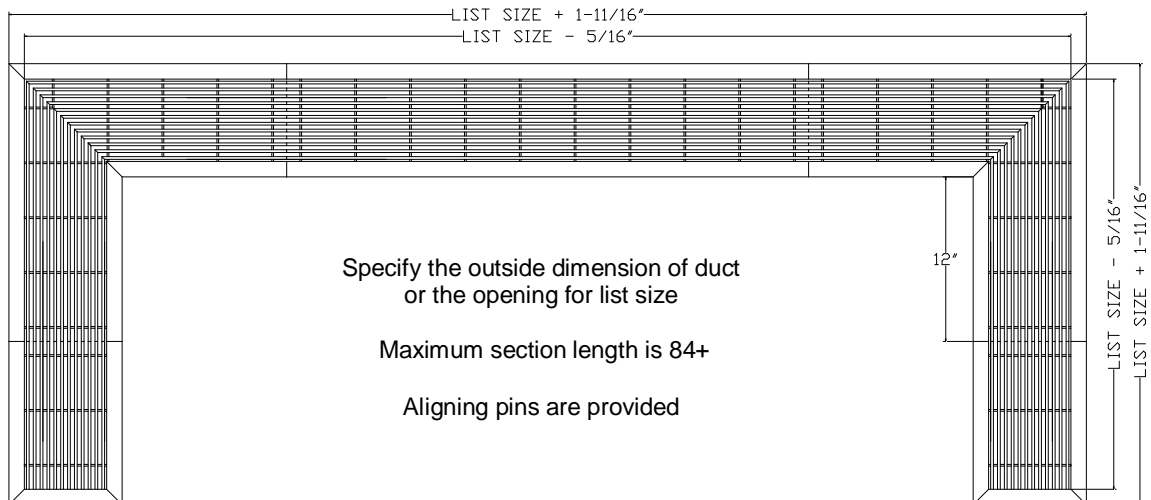


Note: Direction must be specified for 15° and 30° blade



OUT IN
BLADE
DIRECTION

Units with corners must have a plan view sketch with order



Specify the outside dimension of duct or the opening for list size

Maximum section length is 84+

Aligning pins are provided