

# Cube Core 4" Filter Grille

**DARE5-FG4** **Top & Bottom Mounting**

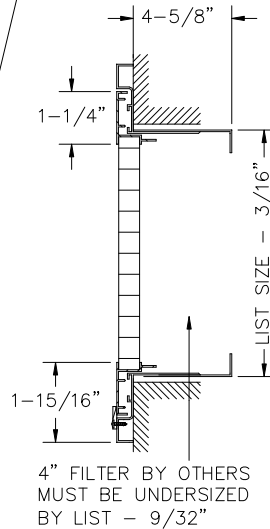
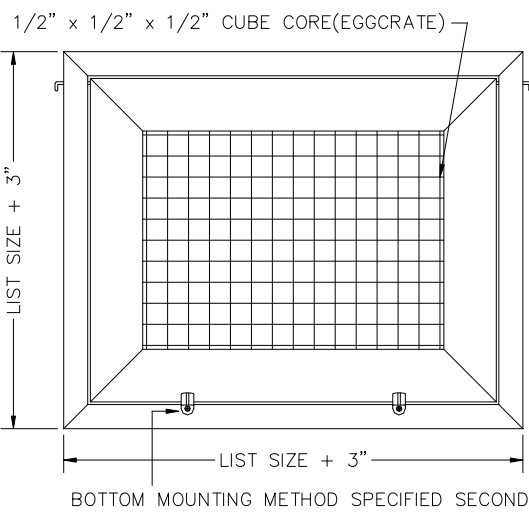
**MOUNTING OPTIONS – A, B, C OR D**

Must Specify Both

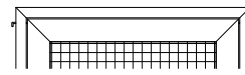


- 1/2"x 1/2"x 1/2"+eggcrate core has a high free area for minimum pressure loss
- Designed to fit most 4+filters (must be undersized 9/32+)
- Neat appearance often matches luminaries
- Aluminum extruded frame with mechanically locked corners
- Available on 2+increments as standard
- Custom sizes available but extra charge may apply
- Durable powdercoat painted finish
- Available in White, Silver or Mill

TOP MOUNTING METHOD SPECIFIED FIRST (RECOMMENDED A & B ONLY)

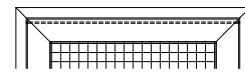


**A SPRING PINS**



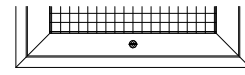
Grille easily removed from frame (recommended for top mounting only)

**B WIRE HINGE**

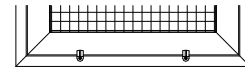


Grille NOT removable from frame (recommended for top mounting only)

**C NYLON THUMBSCREW**



**D NYLON SCREEN TABS**



• **Note: DARE5-FG4 A&D shown**

•**Note:** 1+Filter can be specified by changing the suffix to -FG  
2+Filter can be specified by changing the suffix to -FG2



DESCRIPTION	DARE5-FG4 <small>Top &amp; Bottom Mounting</small>
FACE BLADES	1/2"x 1/2"x 1/2"+eggcrate
REAR BLADES	n/a
DAMPER	n/a
MATERIAL	Aluminum
COLOR	White/Silver/Mill

JOB NAME: \_\_\_\_\_

LOCATION: \_\_\_\_\_

ARCHITECT: \_\_\_\_\_

ENGINEER: \_\_\_\_\_

CONTRACTOR: \_\_\_\_\_