

T-Bar Return Air 2" Filter Grille

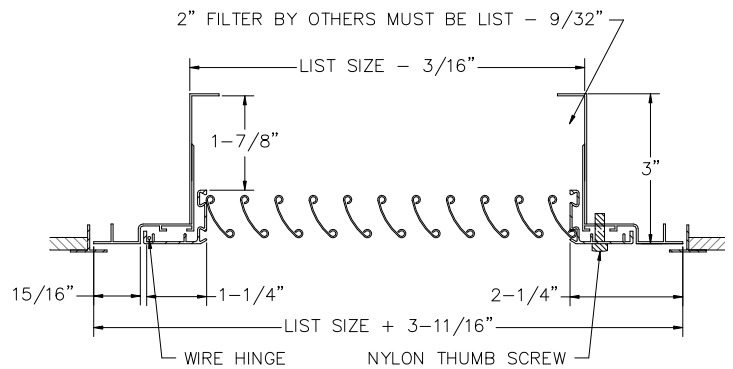
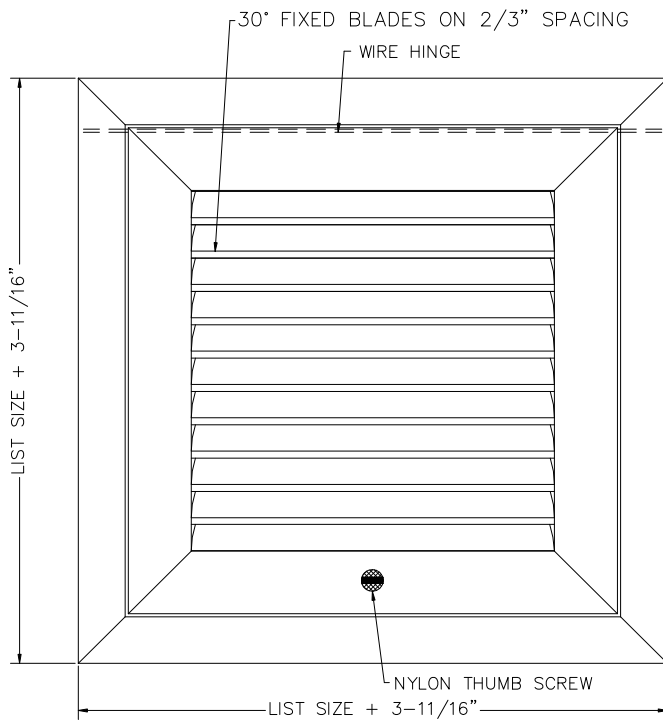


DARH-FG2-TB

- Designed to fit most 2+filters (must be undersized $\frac{9}{32}$)
- Horizontal blades fixed on 30° deflection and $\frac{2}{3}$ +spacing
- Aluminum rollformed blades provide a stylish appearance
- Pressure fit nylon pivot pins (rattle free & non loosening)
- Aluminum extruded frame with mechanically locked corners
- Available on 2+increments as standard
- Custom sizes available but extra charge may apply
- Max blade length is 22+ Mullions used for larger sizes
- Durable powdercoat painted finish
- Available in White, Silver or Mill

Note:

- 1) Order 4+under T-bar size.
ie. 20x20+list size has an O.D. equal to 23-11/16+x 23-11/16+
- 2) B&C Mounting is automatically installed on T-bar units.
Other options can be specified (excluding mounting A)
Spring Pins will not be accessible.
- 3) 1+Filter option can be specified by changing the **suffix to FG**
- 4) 4+Filter option can be specified by changing the **suffix to FG4**



DESCRIPTION	DARH-FG2-TB
FACE BLADES	Horizontal Fixed 30°
REAR BLADES	n/a
DAMPER	n/a
MATERIAL	Aluminum
COLOR	White/Silver/Mill

JOB NAME: _____

LOCATION: _____

ARCHITECT: _____

ENGINEER: _____

CONTRACTOR: _____