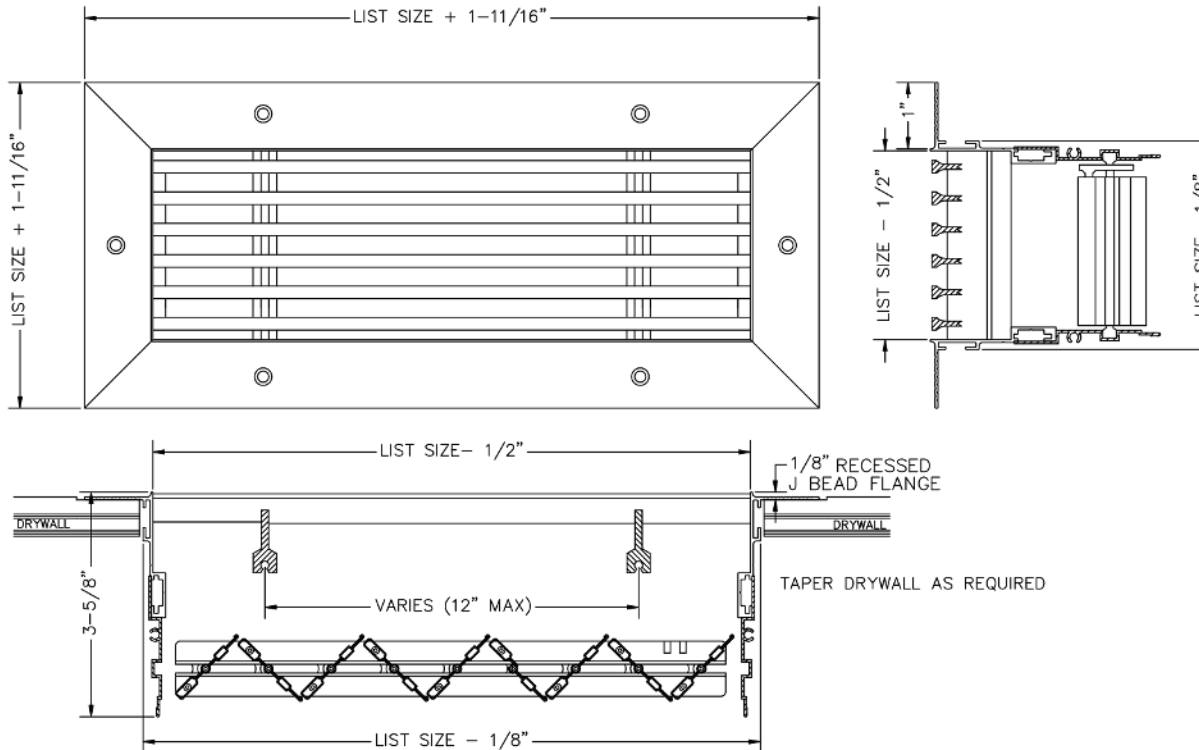


- Mud-in, recessed flange frame to be taped & plastered over.
- Fully extruded, high quality aluminum construction for a stylish appearance.
- Opposed blade damper with slide operator.
- Fixed blades parallel to the long dimension.
- Sections over 84" are joined for continuous lengths with aligning pins provided.
- Available on 1/2" increments as standard. Custom sizes available down to 1/16" increments.
- Available with durable powder coat finish.



**1. Select a Blade Option**

- |  |   |
|--|---|
| <input type="checkbox"/> <u>00</u> - 0° Deflection   | <input type="checkbox"/> <u>30</u> - 30° Deflection |
| <input type="checkbox"/> <u>01</u> - 0° Pencil Proof | <input type="checkbox"/> <u>82</u> - 0° Air Flow    |
| <input type="checkbox"/> <u>15</u> - 15° Deflection  | <input type="checkbox"/> <u>84</u> - 0° Heel Proof  |

**2. Select a Mounting Option**

- |  |  |
|--|--|
| <input type="checkbox"/> <u>A</u> - Screw Holes        | <input type="checkbox"/> <u>D</u> - Sidewall Screw Holes |
| <input type="checkbox"/> <u>C</u> - Concealed Brackets | <input type="checkbox"/> <u>TB</u> - No Mounting         |

**3. Specify the Length x Height Dimensions**

Inches  MM \_\_\_\_\_ x \_\_\_\_\_

**4. Select a Finish**

- |  |   |
|--|---|
| <input type="checkbox"/> <u>W</u> - White  | <input type="checkbox"/> <u>FB</u> - Flat Black |
| <input type="checkbox"/> <u>S</u> - Silver | <input type="checkbox"/> Special: _____         |
| <input type="checkbox"/> <u>B</u> - Brown  |   |
| <input type="checkbox"/> <u>M</u> - Mill   |   |

**5. Select a Lead Time**

- |  |
|--|
| <input type="checkbox"/> 3 Day Ship        |
| <input type="checkbox"/> Next Friday       |
| <input type="checkbox"/> Standard Delivery |

Invisible lip design allows for a true frameless appearance, and easier installation.

**3 DAY SHIP**  
ANY SIZE. ANY MODEL.  
**GUARANTEED**

**Additional Options**  
See specific submittal pages for options listed below.  
 R - Removable Core

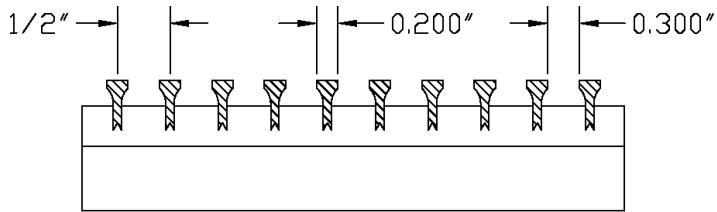
**Project / Location:** \_\_\_\_\_  
**Architect:** \_\_\_\_\_  
**Engineer:** \_\_\_\_\_  
**Contractor:** \_\_\_\_\_



## BLADE OPTIONS

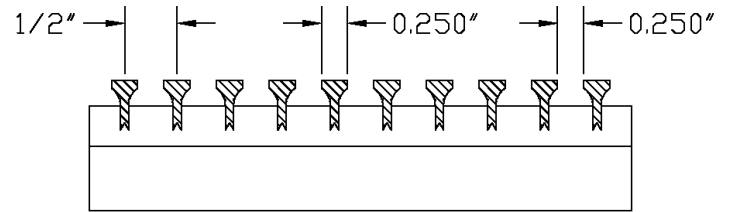
**-00**

0° 13/64" blades on 1/2" centers



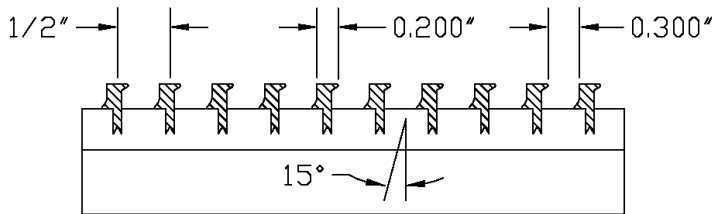
**-01**

0° 1/4" blades on 1/2" centers



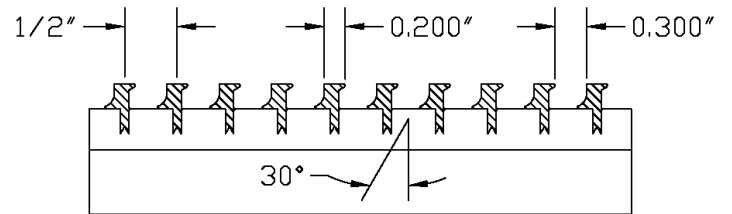
**-15**

15° 13/64" blades on 1/2" centers



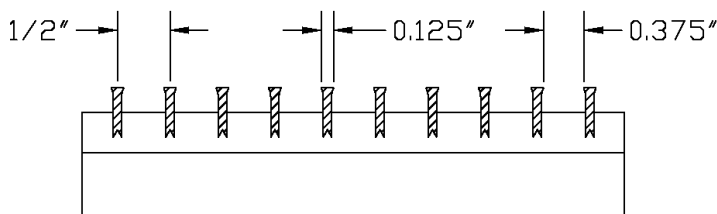
**-30**

30° 13/64" blades on 1/2" centers



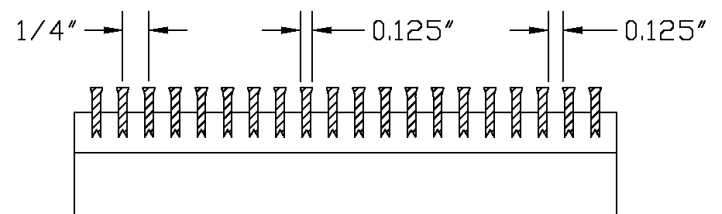
**-82**

0° 1/8" blades on 1/2" centers

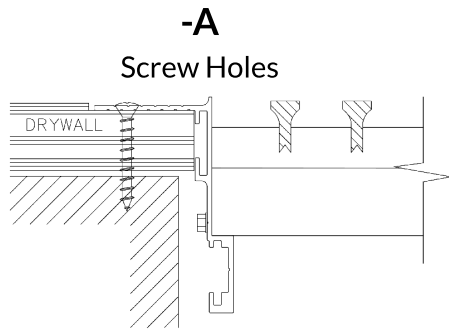


**-84**

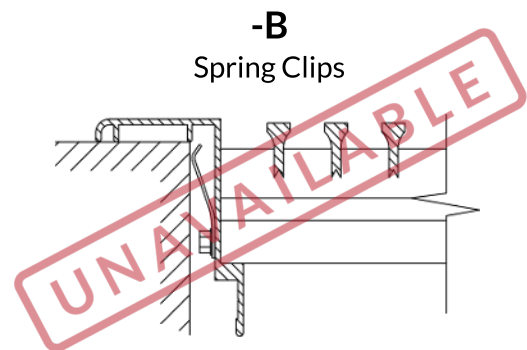
0° 1/8" blades on 1/4" centers



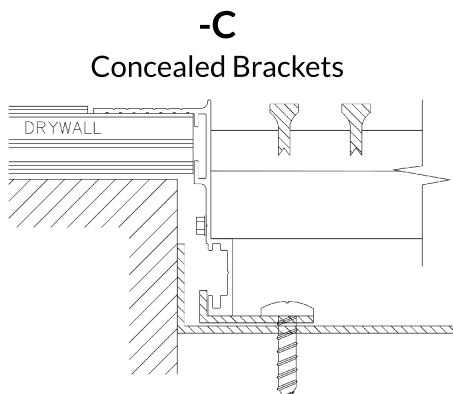
## MOUNTING



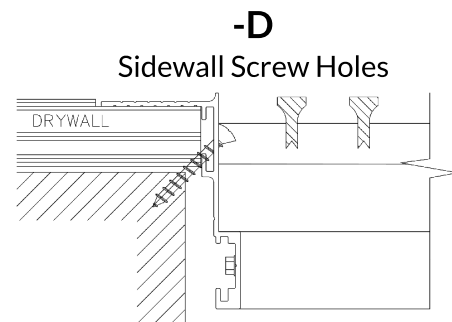
Color matched screws with countersunk screw holes.



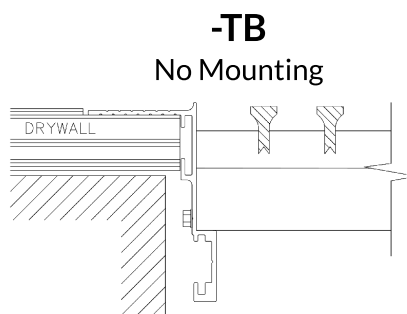
Hidden clips behind the flange to keep the grille secure in the opening. Only suitable for floor & sill applications.



Product is fastened to duct-mounted brackets, which are concealed behind the blades.



Screw holes are drilled at a 45° angle on inner flange. Only available with Removable Core.



Designed for lay-in ceiling and custom applications. For lay-in, order 2" under to account for flange.

e.g. 22" x 10" will have O.D. 23-11/16" x 11-11/16" and fit a standard 24" x 12" T-bar opening.