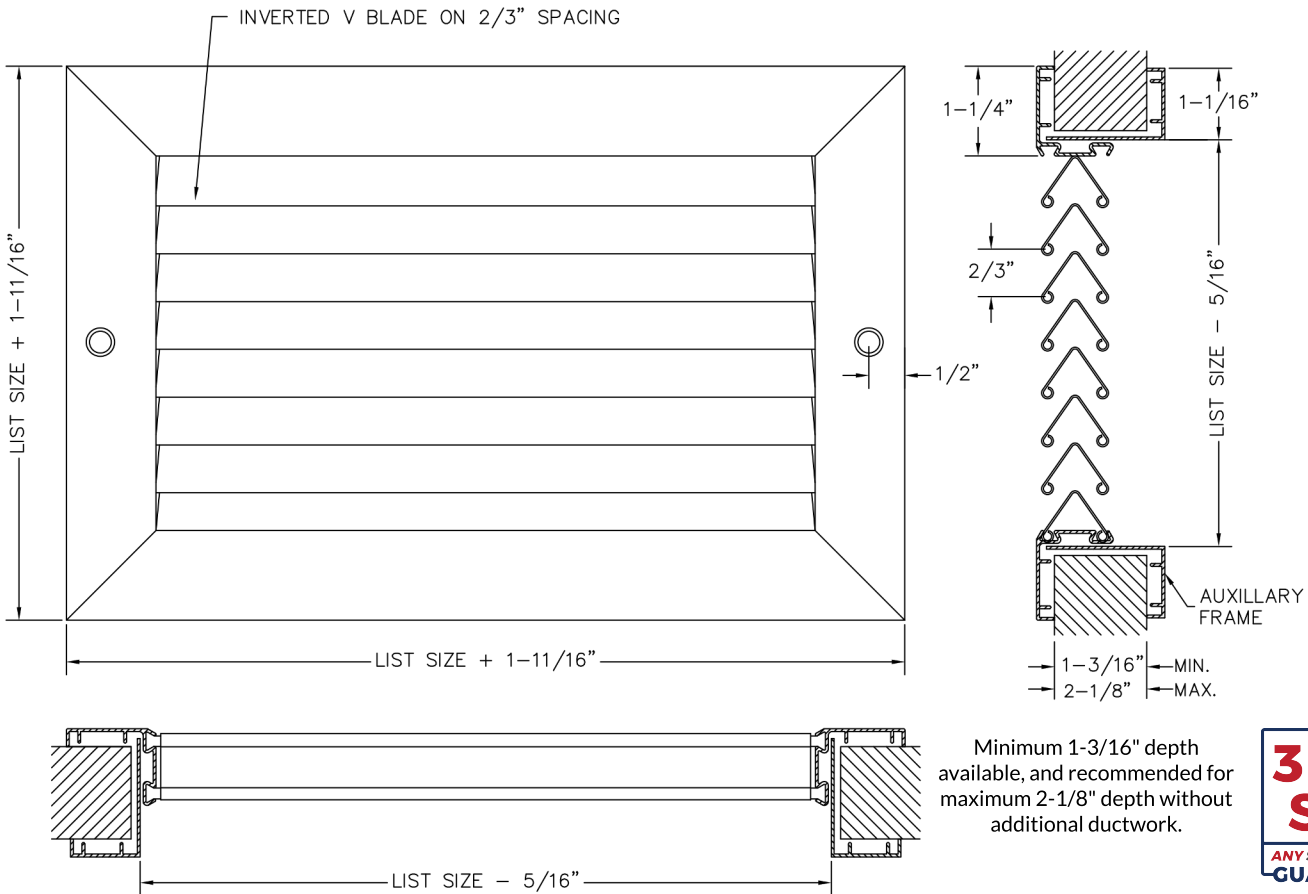




- Inverted V-shaped blades on 2/3" spacing.
- Roll-formed blades designed to minimize vision past core, while maintaining free area for air transfer.
- Pressure-fit nylon pivot pins provide rattle free performance.
- Finished on both sides with non-vision blade design and a matching auxilliary frame included.
- High quality aluminum extruded frame.
- Countersunk #6 screw hole mounting c/w painted screws.
- Mullions used for sizes over 22" in length.
- Available on 2" increments as standard. Custom sizes available down to 1/16" increments.
- Available with durable powder coat finish.



Minimum 1-3/16" depth available, and recommended for maximum 2-1/8" depth without additional ductwork.



See submittal **DANV-B** for Transfer/Door Grille with Standard Flange Frame Only.
See submittal **DANV-C** for Transfer/Door Grille with Trim Frame Only.

1. Specify the Length x Height Dimensions

Inches MM _____ x _____

2. Select a Finish

- W - White
- S - Silver
- M - Mill

3. Select a Lead Time

- 3 Day Ship
- Next Friday
- Standard Delivery

Additional Options

TB - No Screw Holes

AA - All Aluminum

Project / Location: _____

Architect: _____

Engineer: _____

Contractor: _____

