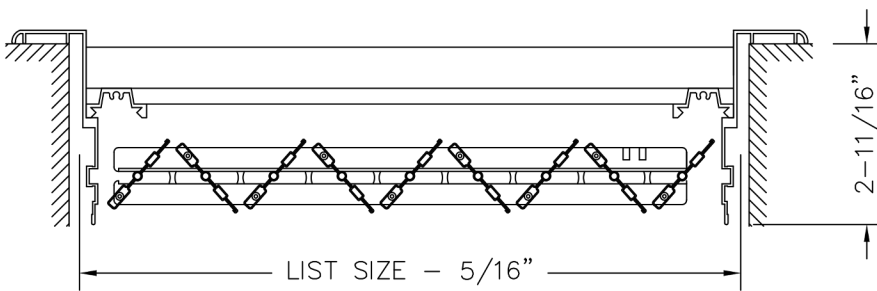
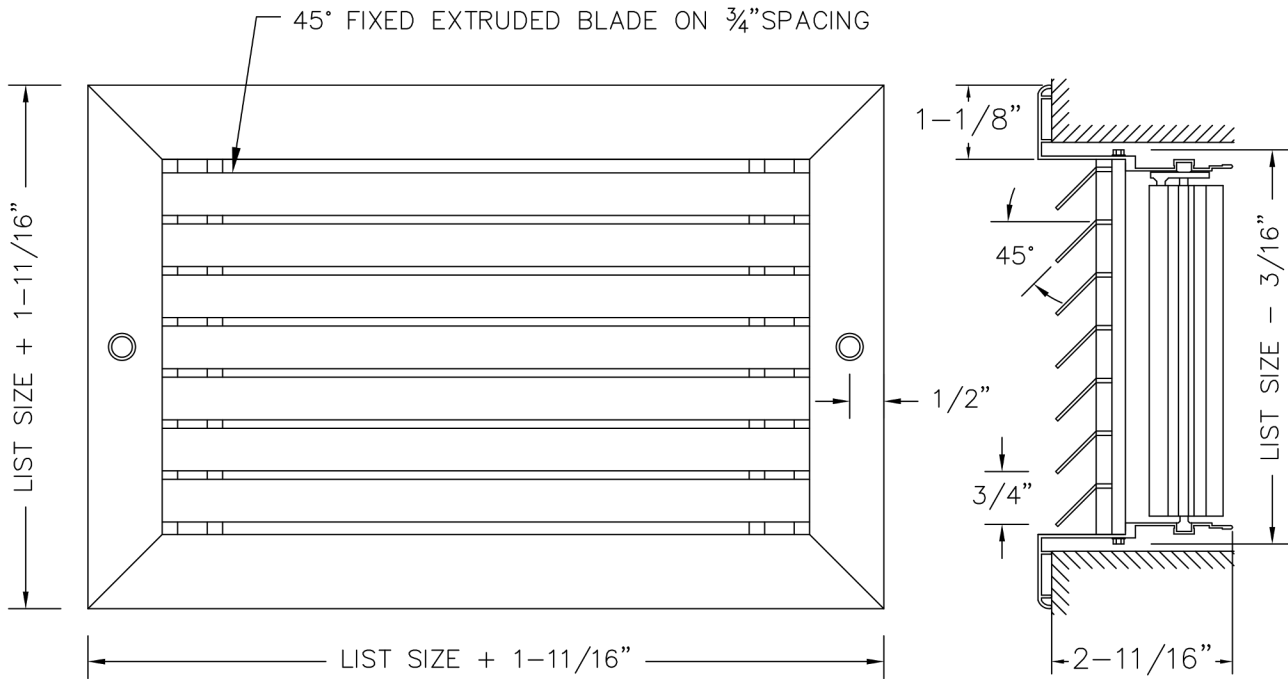




- Horizontal blades fixed on 45° deflection with 3/4" spacing.
- Opposed blade damper with slide operator.
- Constructed with high-quality, fully-extruded aluminum with blades designed for high efficiency.
- All supports are hidden behind blades for a continuous appearance.
- Countersunk #6 screw hole mounting c/w painted screws.
- Available on 2" increments as standard. Custom sizes available down to 1/16" increments.
- Available with durable powder coat finish.



**3 DAY SHIP**  
ANY SIZE. ANY MODEL.  
GUARANTEED

- Additional Options**
- TB - No Screw Holes
  - BS - Bird Screen
  - IS - Insect Screen
  - AA - All Aluminum

**1. Specify the Length x Height Dimensions**

Inches  MM \_\_\_\_\_ x \_\_\_\_\_

**2. Select a Finish**

- W - White
- S - Silver
- B - Brown
- M - Mill

- FB - Flat Black
- Special: \_\_\_\_\_

**3. Select a Lead Time**

- 3 Day Ship
- Next Friday
- Standard Delivery

**Project / Location:** \_\_\_\_\_  
**Architect:** \_\_\_\_\_  
**Engineer:** \_\_\_\_\_  
**Contractor:** \_\_\_\_\_