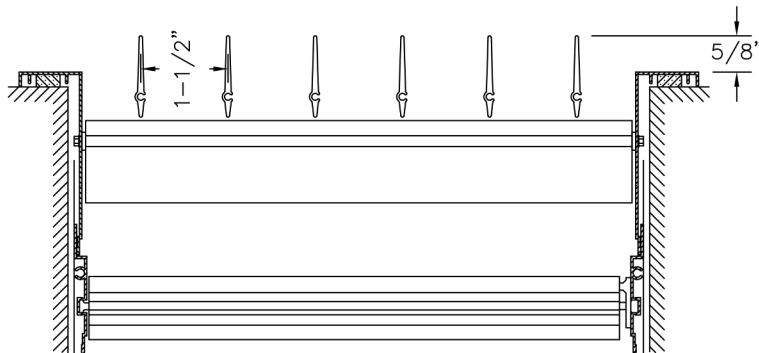
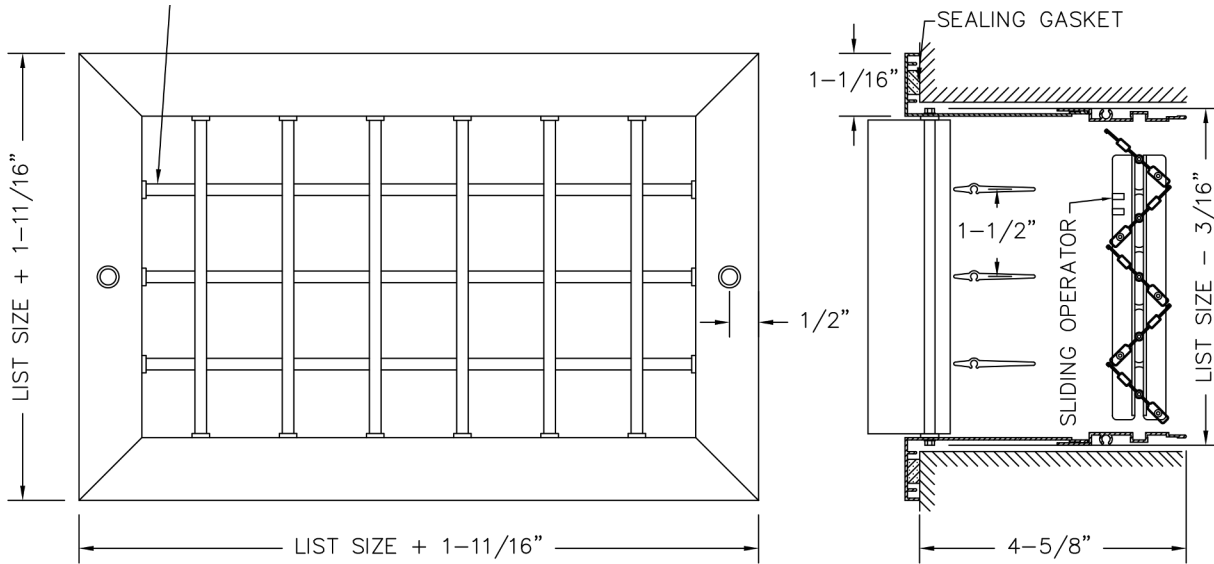


- Individually adjustable vertical and horizontal blades with 1-1/2" spacing.
- Fully extruded, high quality aluminum blades with semi-airfoil design.
- Opposed blade damper with slide operator.
- High quality aluminum extruded frame.
- Sealing gasket used to prevent streaking on walls or ceiling.
- Countersunk #6 screw hole mounting c/w painted screws.
- Mullions used for dimensions over 26" in size.
- Available on 2" increments as standard. Custom sizes available down to 1/16" increments.
- Available with durable powder coat finish.



3 DAY SHIP
ANY SIZE. ANY MODEL.
GUARANTEED

Additional Options

TB - No Screw Holes

-R - Recessed Blades

-G - Gang Operator
on Rear Blades

-R-G - Recessed Blades
& Gang Operator
on _____ (Front/Back/Both)

1. Specify the Length x Height Dimensions

Inches MM _____ x _____

2. Select Finish

W - White

S - Silver

M - Mill

3. Select a Lead Time

3 Day Ship

Next Friday

Standard Delivery

Project / Location: _____

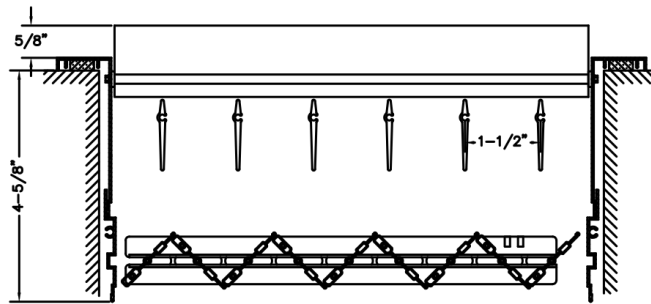
Architect: _____

Engineer: _____

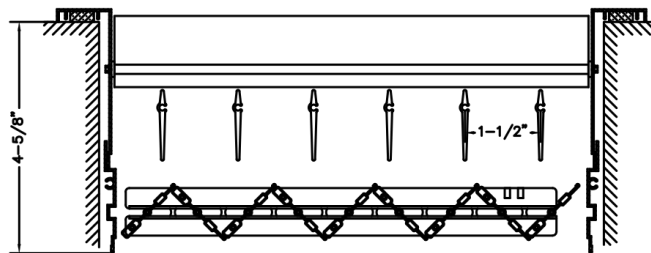
Contractor: _____

OPTIONS

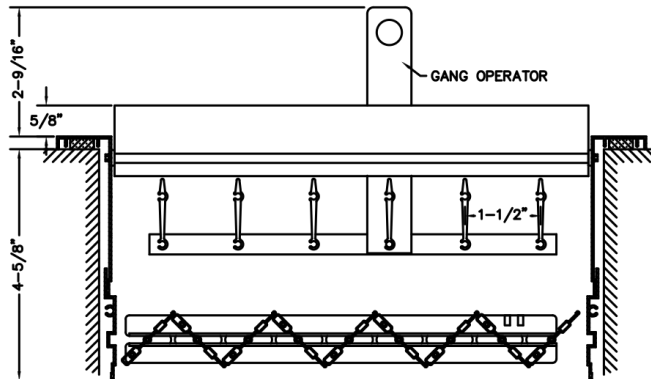
Standard
No additional option



-R
Recessed Blades

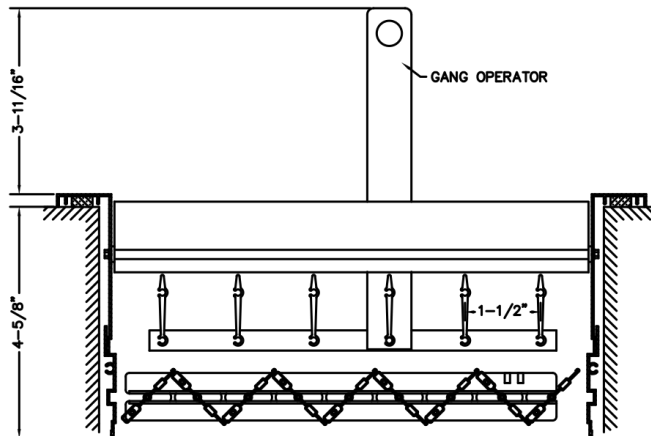


-G
Gang Operator



Gang operator can extend up to 2-9/16".
An extra gang operator required every 26" on dimension operator installed on.

-R-G
Recessed Blades
with Gang Operator



Gang operator can extend up to 3-11/16".
An extra gang operator required every 26" on dimension operator installed on.