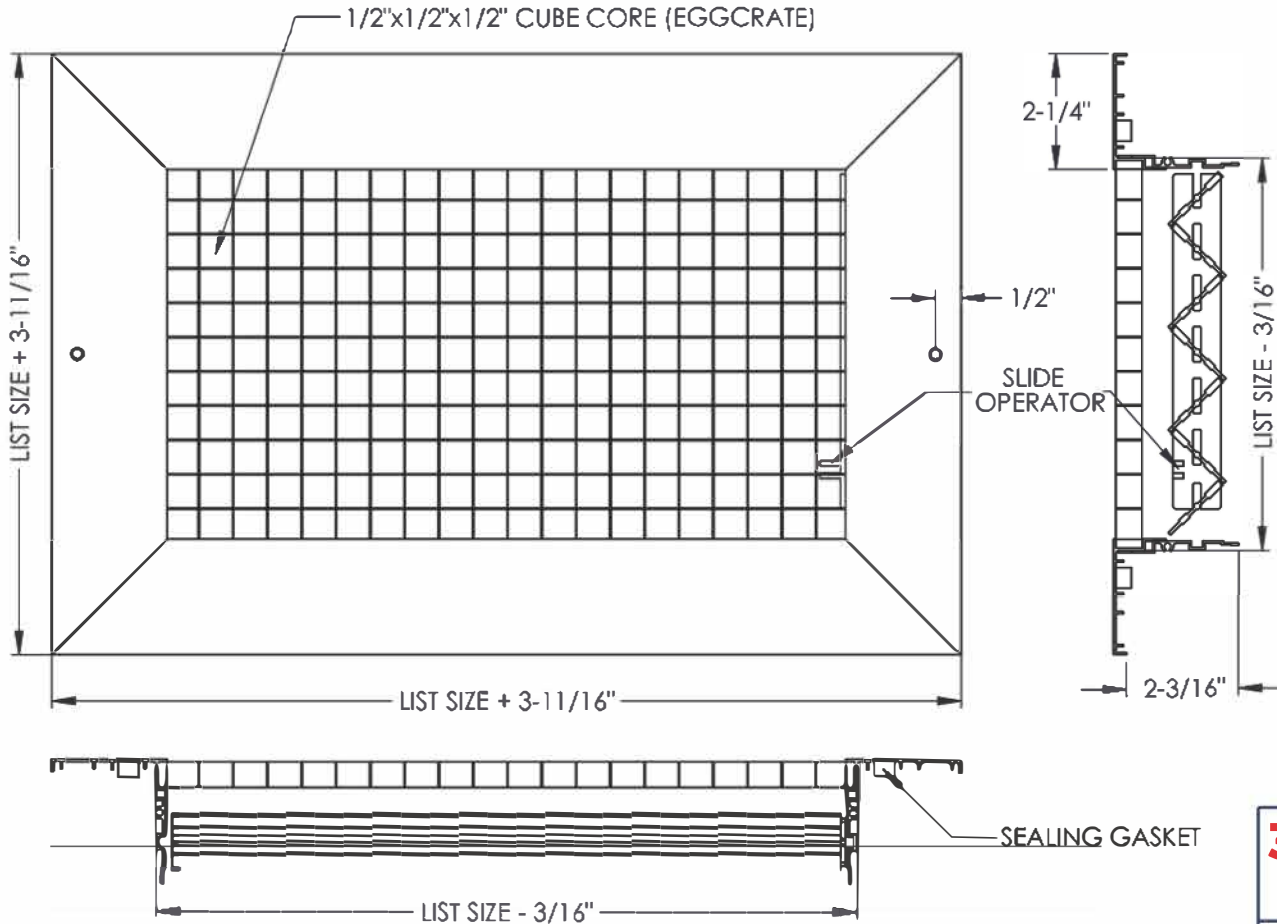




- Wide flange for additional surface coverage.
- 1/2" x 1/2" x 1/2" aluminum eggcrate core.
- Opposed blade damper with slide operator.
- High-quality aluminum extruded frame.
- Countersunk #6 screw hole mounting c/w painted screws.
- Mullions used for dimensions over 60" in size.
- Available with durable powder coat finish.



**3 DAY SHIP**  
ANY SIZE. ANY MODEL. GUARANTEED.

**1. Specify Quantity**

\_\_\_\_\_

**2. Specify the Length x Height Dimensions**

Available on 2" increments as standard. Custom sizes down to 1/16" increments.

\_\_\_\_\_ x \_\_\_\_\_  inches  mm

**Additional Options**

- TB - No Screw Holes
- AA - All Aluminum

**3. Select a Finish**

- W - White
- S - Silver

**4. Select a Lead Time**

- 3 Day Ship
- Next Friday
- Standard Delivery

Project / Location:

Architect:

Engineer:

Contractor:



Scan for more product information.