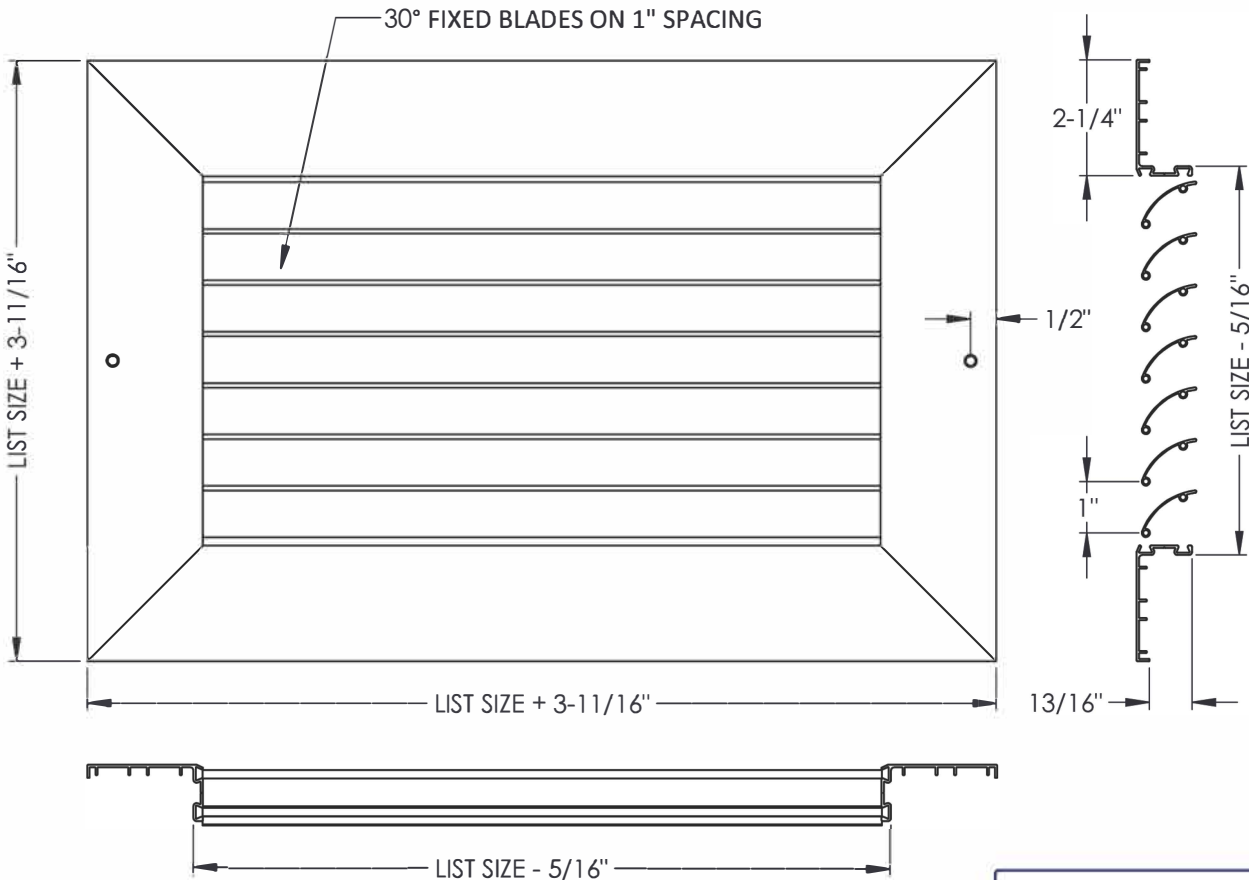




- Wide flange for additional surface coverage.
- Horizontal blades fixed on 30° deflection with 1" spacing.
- Roll-formed aluminum blades provide a stylish appearance.
- Pressure-fit nylon pivot pins provide rattle-free performance.
- High-quality aluminum extruded frame.
- Countersunk #6 screw hole mounting c/w painted screws.
- Mullions used for sizes over 22" in length.
- Available with durable powder coat finish.



3 DAY SHIP
ANY SIZE. ANY MODEL.
GUARANTEED

1. Specify Quantity

2. Specify the Length x Height Dimensions

Available on 2" increments as standard. Custom sizes down to 1/16" increments.

_____ x _____ inches mm

3. Select a Finish

- W - White
- S - Silver

4. Select a Lead Time

- 3 Day Ship
- Next Friday
- Standard Delivery

Additional Options

- D - Opposed Blade Damper
- TB - No Screw Holes
- IS - Insect Screen
- AA - All Aluminum

Project / Location:

Architect:

Engineer:

Contractor:



Scan for more product information.