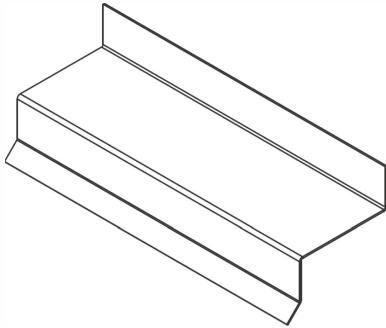
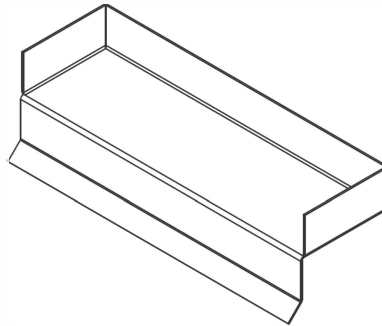


-ES Extended Sill
Open Ends

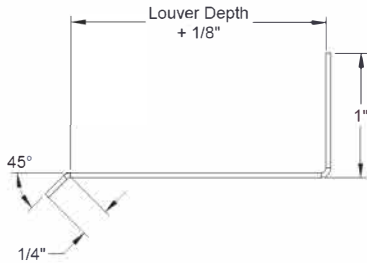


-SP Sill Pan
Closed Ends

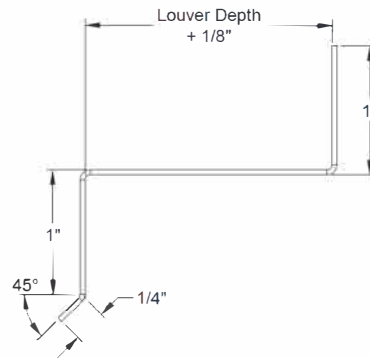


- Accessory for 2" and 4" Dayus Louvers
- 16 gauge folded aluminum sheet (0.05")
- Single sections must be equal to opening width

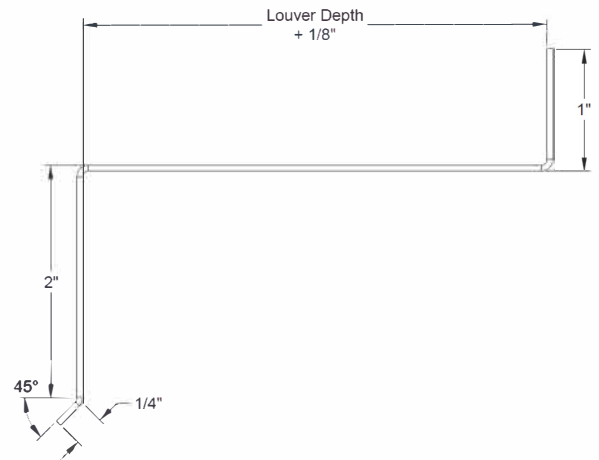
For Channel Frame Louvers



For 2" Flange Frame Louver



For 4" Flange Frame Louver



Multi-PC Construction

Sills over 48" will ship in multiple pieces and must be joined onsite. Dayus provides a 6" overlap and recommends a 1/4" bead of sealant (not provided).

1. Specify Quantity

2. Specify Style

- Extended Sill
- Sill Pan

3. Specify Louver

- Channel Frame Louver
- 2" Flange Frame Louver
- 4" Flange Frame Louver

4. Specify the Length

Order same list size as louver. Available on 1" increments as standard. Custom sizes down to 1/16" increments.

_____ inches mm

5. Select a Finish

AAMA 2605 powder coat finish available upon request.

- W - White
- S - Silver
- B - Brown
- M - Mill
- FB - Flat Black
- Special: _____

6. Select a Lead Time

3 Day Ship available on mill finish only.

- 3 Day Ship
- Next Friday
- Standard Delivery



Project / Location:
Architect:
Engineer:
Contractor: