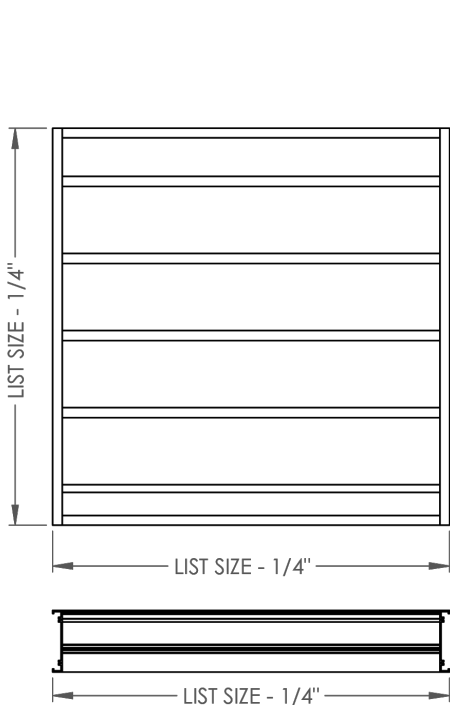
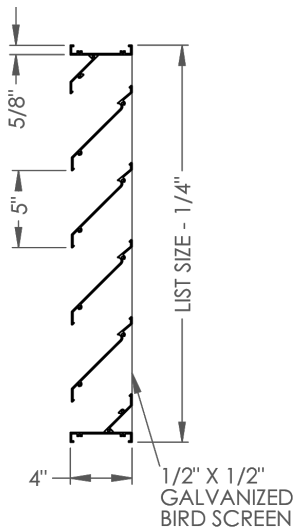




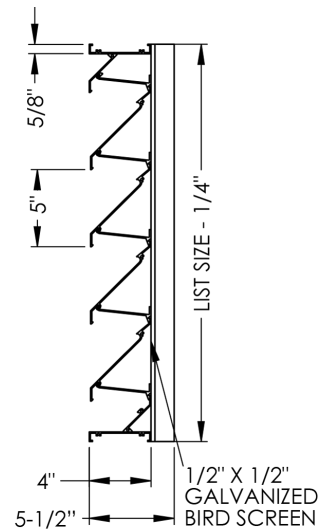
- 4" Non-drainable louver with fixed-blades.
- Heavy-duty, extruded aluminum channel frame.
- J-blade design minimizes water ingress while maximizing free area.
- Concealed mullions used for sizes over 48" in length for clean, continuous appearance.
- Dimensions over maximum single piece size will require field assembly of multiple sections.
- Bird screen included standard. Insect screen can be specified.
- High-quality powder coat paint (AAMA 2604). Architectural-grade finish available (AAMA 2605).



Without Supports
48" Length & Under



With Supports
Over 48" Length



Standard Construction

Material	6063-T5
Wall Thickness	0.080"
Blade Thickness	0.080"
Blade Angle	45°
Blade Spacing	5"
Mullion Start	>48"
Minimum Size	12 x 12"
Maximum Size (Single Piece)	120 x 72" 72 x 120"

1. Specify Quantity

2. Specify the Length x Height Dimensions

Available on 1" increments as standard. Custom sizes down to 1/16" increments.

_____ x _____ inches mm

3. Select a Finish

AAMA 2605 powder coat finish available upon request.

- W - White
- S - Silver
- B - Brown
- M - Mill
- FB - Flat Black
- Special: _____

4. Select a Lead Time

3 Day Ship available on mill finish only.

- 3 Day Ship
- Next Friday
- Standard Delivery



Additional Options

- IS - Insect Screen
- ES - Extended Sill - Open Ends
- SP - Sill Pan - Closed Ends



Project / Location:

Architect:

Engineer:

Contractor:



Scan for more product information.

Free Area ft² (m²)

OPENING LENGTH inches (mm)

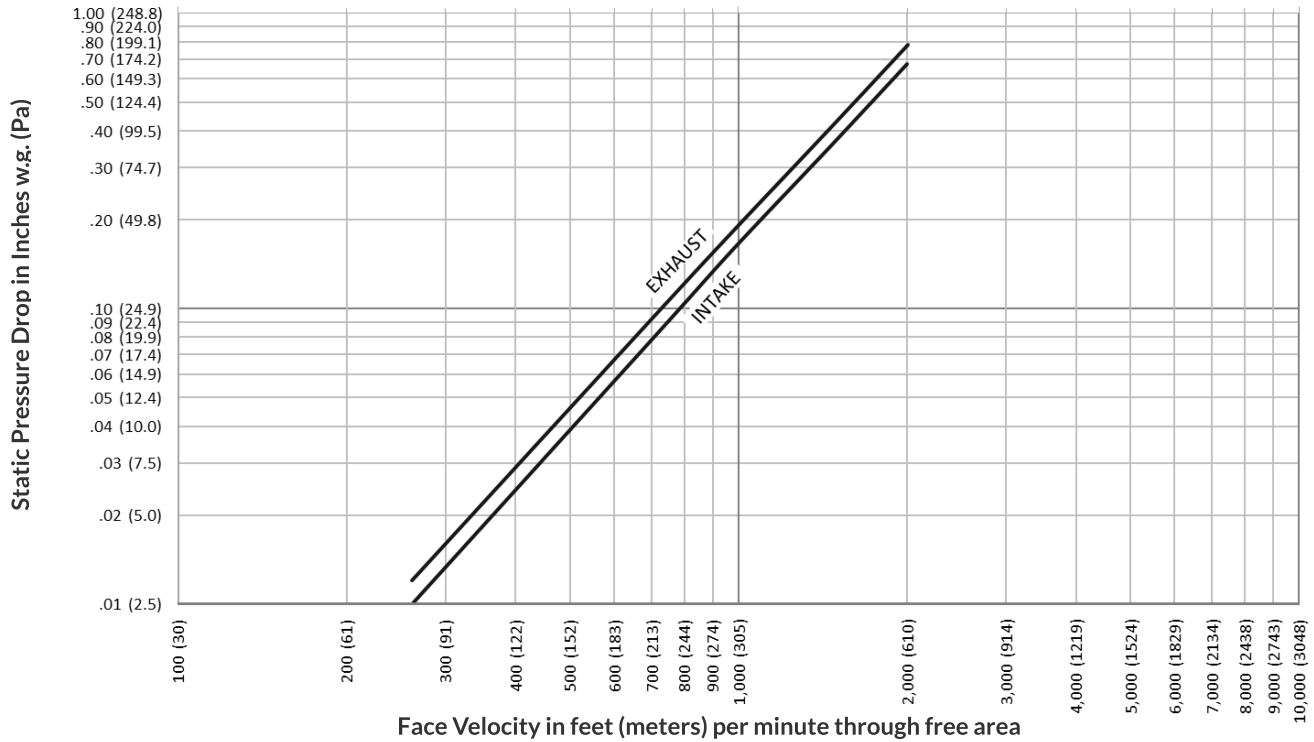
		12	18	24	30	36	42	48	54	60	66	72	78	84	90	96	102	108	114	120
		300	450	600	750	900	1050	1200	1350	1500	1700	1850	2000	2150	2300	2450	2600	2750	2900	3050
12	300	0.32	0.50	0.68	0.87	1.05	1.23	1.41	1.55	1.73	1.92	2.10	2.28	2.46	2.65	2.83	2.97	3.15	3.33	3.51
	450	0.03	0.05	0.06	0.08	0.10	0.11	0.13	0.14	0.16	0.18	0.19	0.21	0.23	0.25	0.26	0.28	0.29	0.31	0.33
18	300	0.47	0.74	1.01	1.28	1.55	1.82	2.09	2.29	2.56	2.83	3.10	3.36	3.63	3.90	4.17	4.37	4.64	4.91	5.18
	450	0.04	0.07	0.09	0.12	0.14	0.17	0.19	0.21	0.24	0.26	0.29	0.31	0.34	0.36	0.39	0.41	0.43	0.46	0.48
24	300	0.73	1.15	1.57	1.99	2.41	2.83	3.25	3.56	3.98	4.40	4.82	5.23	5.65	6.07	6.49	6.80	7.22	7.64	8.06
	450	0.07	0.11	0.15	0.18	0.22	0.26	0.30	0.33	0.37	0.41	0.45	0.49	0.53	0.56	0.60	0.63	0.67	0.71	0.75
30	300	1.02	1.60	2.18	2.76	3.34	3.92	4.50	4.94	5.52	6.10	6.68	7.26	7.84	8.42	9.00	9.44	10.02	10.60	11.18
	450	0.09	0.15	0.20	0.26	0.31	0.36	0.42	0.46	0.51	0.57	0.62	0.67	0.73	0.78	0.84	0.88	0.93	0.98	1.04
36	300	1.30	2.04	2.79	3.53	4.27	5.01	5.76	6.31	7.06	7.80	8.54	9.29	10.03	10.77	11.52	12.07	12.82	13.56	14.30
	450	0.12	0.19	0.26	0.33	0.40	0.47	0.53	0.59	0.66	0.72	0.79	0.86	0.93	1.00	1.07	1.12	1.19	1.26	1.33
42	300	1.58	2.49	3.39	4.30	5.20	6.11	7.01	7.69	8.60	9.50	10.41	11.31	12.22	13.12	14.03	14.71	15.61	16.52	17.42
	450	0.15	0.23	0.32	0.40	0.48	0.57	0.65	0.71	0.80	0.88	0.97	1.05	1.14	1.22	1.30	1.37	1.45	1.53	1.62
48	300	1.74	2.73	3.72	4.71	5.70	6.69	7.69	8.43	9.42	10.41	11.40	12.40	13.39	14.38	15.37	16.11	17.11	18.10	19.09
	450	0.16	0.25	0.35	0.44	0.53	0.62	0.71	0.78	0.88	0.97	1.06	1.15	1.24	1.34	1.43	1.50	1.59	1.68	1.77
54	300	2.00	3.14	4.28	5.42	6.56	7.70	8.84	9.70	10.84	11.98	13.12	14.27	15.41	16.55	17.69	18.55	19.69	20.83	21.97
	450	0.19	0.29	0.40	0.50	0.61	0.72	0.82	0.90	1.01	1.11	1.22	1.33	1.43	1.54	1.64	1.72	1.83	1.93	2.04
60	300	2.28	3.58	4.89	6.19	7.49	8.80	10.10	11.08	12.38	13.69	14.99	16.29	17.60	18.90	20.20	21.18	22.48	23.79	25.09
	450	0.21	0.33	0.45	0.58	0.70	0.82	0.94	1.03	1.15	1.27	1.39	1.51	1.63	1.76	1.88	1.97	2.09	2.21	2.33
66	300	2.56	4.03	5.50	6.96	8.43	9.89	11.36	12.46	13.92	15.39	16.85	18.32	19.78	21.25	22.71	23.81	25.28	26.74	28.21
	450	0.24	0.37	0.51	0.65	0.78	0.92	1.06	1.16	1.29	1.43	1.57	1.70	1.84	1.97	2.11	2.21	2.35	2.48	2.62
72	300	2.85	4.48	6.10	7.73	9.36	10.99	12.61	13.83	15.46	17.09	18.72	20.34	21.97	23.60	25.23	26.45	28.07	29.70	31.33
	450	0.26	0.42	0.57	0.72	0.87	1.02	1.17	1.29	1.44	1.59	1.74	1.89	2.04	2.19	2.34	2.46	2.61	2.76	2.91
78	300	3.00	4.71	6.43	8.14	9.86	11.57	13.28	14.57	16.28	18.00	19.71								
	450	0.28	0.44	0.60	0.76	0.92	1.07	1.23	1.35	1.51	1.67	1.83								
84	300	3.26	5.13	6.99	8.85	10.72	12.58	14.44	15.84	17.71	19.57	21.43								
	450	0.30	0.48	0.65	0.82	1.00	1.17	1.34	1.47	1.64	1.82	1.99								
90	300	3.55	5.57	7.60	9.62	11.65	13.67	15.70	17.22	19.25	21.27	23.30								
	450	0.33	0.52	0.71	0.89	1.08	1.27	1.46	1.60	1.79	1.98	2.16								
96	300	3.83	6.02	8.20	10.39	12.58	14.77	16.96	18.60	20.79	22.97	25.16								
	450	0.36	0.56	0.76	0.97	1.17	1.37	1.58	1.73	1.93	2.13	2.34								
102	300	4.11	6.46	8.81	11.16	13.51	15.86	18.21	19.98	22.33	24.68	27.03								
	450	0.38	0.60	0.82	1.04	1.26	1.47	1.69	1.86	2.07	2.29	2.51								
108	300	4.26	6.70	9.14	11.57	14.01	16.45	18.88	20.71	23.15	25.59	28.02								
	450	0.40	0.62	0.85	1.08	1.30	1.53	1.75	1.92	2.15	2.38	2.60								
114	300	4.53	7.11	9.70	12.28	14.87	17.46	20.04	21.98	24.57	27.16	29.74								
	450	0.42	0.66	0.90	1.14	1.38	1.62	1.86	2.04	2.28	2.52	2.76								
120	300	4.81	7.56	10.31	13.05	15.80	18.55	21.30	23.36	26.11	28.86	31.61								
	450	0.45	0.70	0.96	1.21	1.47	1.72	1.98	2.17	2.43	2.68	2.94								

OPENING HEIGHT inches (mm)

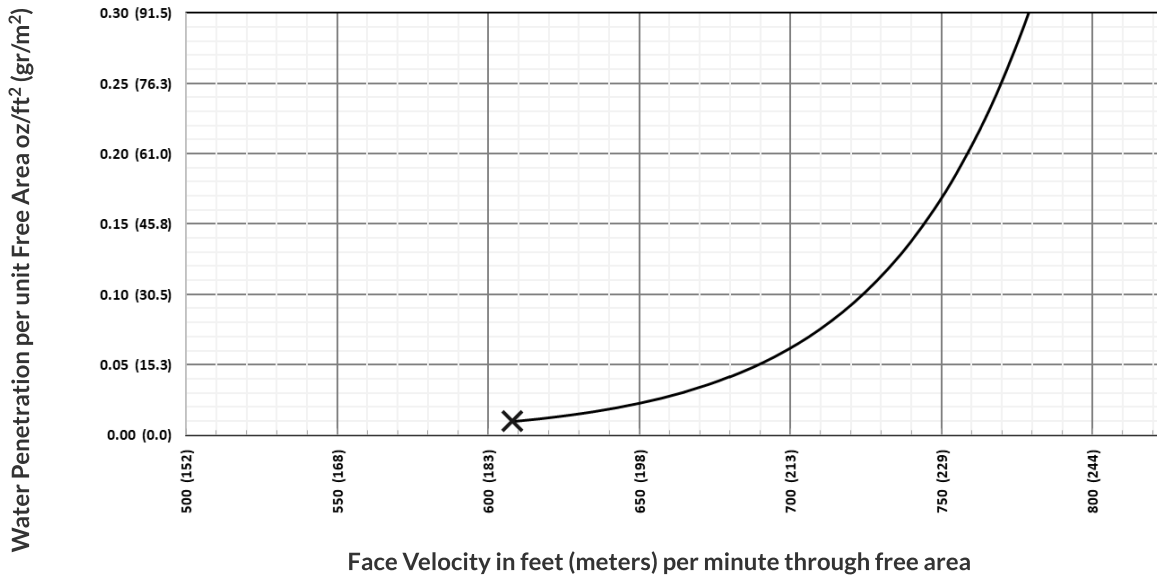


Scan for more product information.

Pressure Drop Louver test size 48" x 48" (120mm x 120mm). Tested per AMCA 500-L-15 Fig. 5.5. Standard air density @ 0.075 lbs/ft³.



Water Penetration Louver test size 48" x 48" (120mm x 120mm). Tested per AMCA 500-L-15 Fig. 5.6. Standard air density @ 0.075 lbs/ft³.



Performance of Louver 48" x 48" (1219mm x 1219mm)

Free Area		Performance at Beginning Point of Water Penetration	
Area	7.69 sq. ft. (0.71 sq. m)	Free Area Velocity	608 fpm
		Max Intake Volume	4,676 CFM
Percent	48%	Performance at 5,678 CFM Intake	
		Pressure Drop	0.086 w.g.



Dayus Register & Grille Inc. certifies that the Model DAL4-CF shown herein is licensed to bear the AMCA Certified Ratings Program seal. The ratings shown are based on tests and procedures performed in accordance with AMCA Publication 511 and comply with the requirements of the AMCA Certified Ratings Program. Louvers were tested in accordance with AMCA Standard 500-L. (Test Figures 5.5-5.6). Louver test size 48 x 48". The AMCA Certified Ratings Program seal applies to Water Penetration and Air Performance ratings.



Scan for more product information.