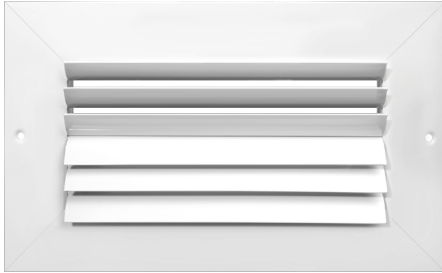
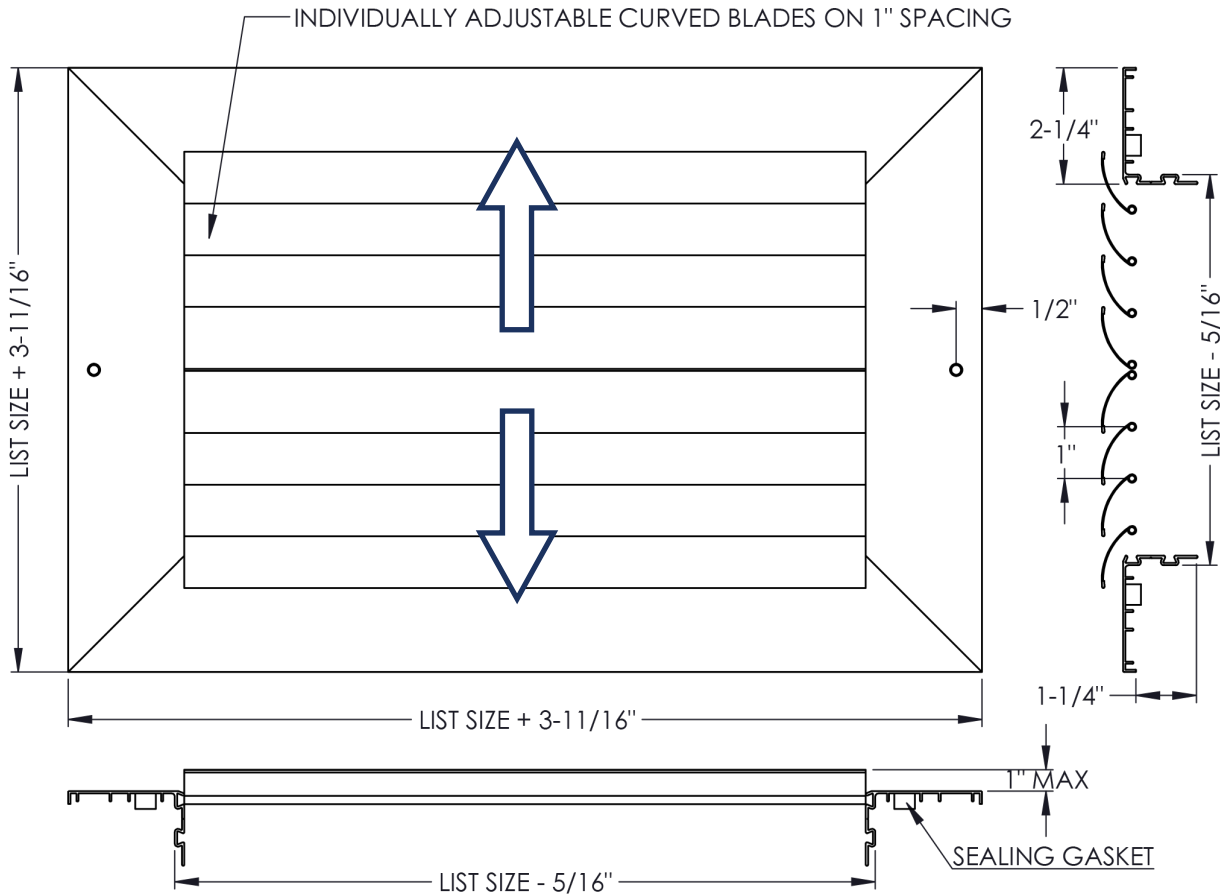


## DAC2H-WF | Two Direction Curved Blade Grille w/ Wide Flange



- Wide flange for additional surface coverage.
- Horizontal, adjustable curved blades with 1" spacing.
- Pressure-fit nylon pivot pins provide rattle-free performance.
- High-quality aluminum extruded frame and roll-formed aluminum blades.
- Countersunk #6 screw hole mounting c/w painted screws.
- Mullions used for sizes over 22" in length.
- Available on 2" increments as standard. Custom sizes available down to 1/16" increments.
- Available with durable powder coat finish.



**3 DAY SHIP**  
ANY SIZE. ANY MODEL.  
GUARANTEED

- Additional Options**
- D - Opposed Blade Damper
  - M - Multi-Shutter Damper
  - TB - No Screw Holes
  - AA - All Aluminum

**1. Specify the Length x Height Dimensions**

Inches  MM \_\_\_\_\_ x \_\_\_\_\_

**2. Select a Finish**

- W - White
- S - Silver
- M - Mill

**3. Select a Lead Time**

- 3 Day Ship
- Next Friday
- Standard Delivery

**Project / Location:** \_\_\_\_\_

**Architect:** \_\_\_\_\_

**Engineer:** \_\_\_\_\_

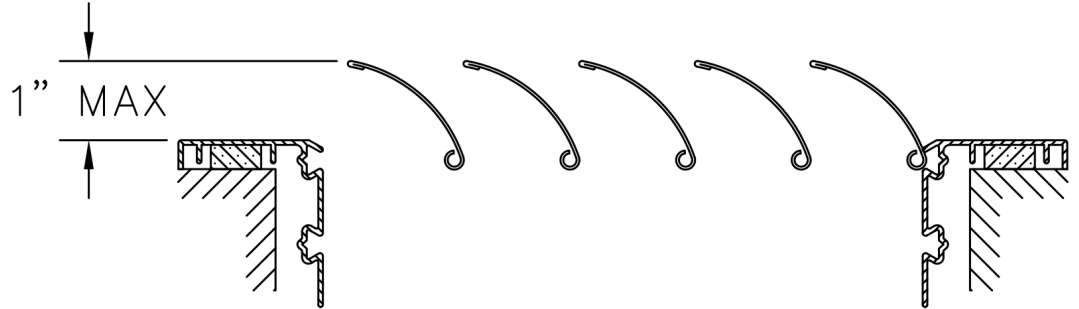
**Contractor:** \_\_\_\_\_



## BLADE OPTIONS

### Standard

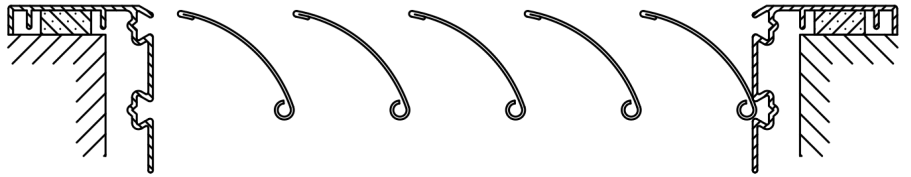
No additional option



Standard Blade option can extend up to 1" out of the frame.

### -R

Recessed Blades



### -F

Fixed Blades

