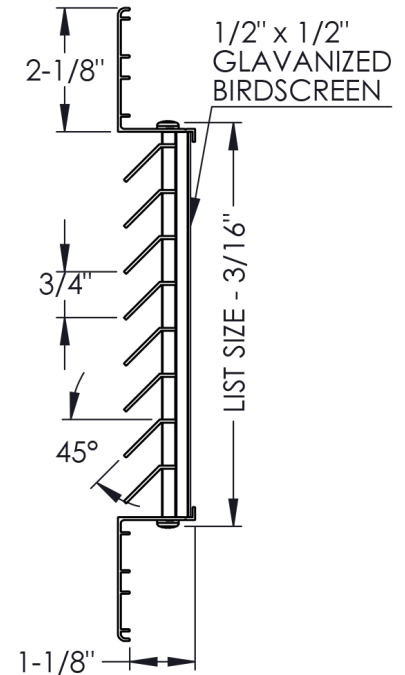
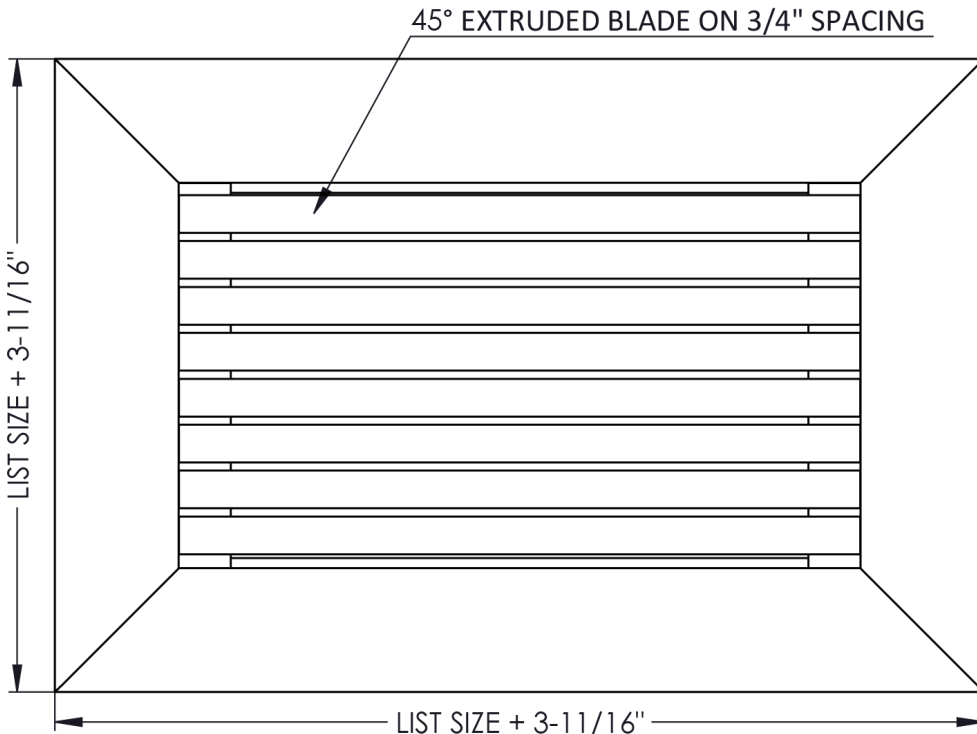


- Wide flange for additional surface coverage.
- Fully-extruded aluminum louver with fixed 45° horizontal blades on 3/4" spacing.
- Supports are hidden behind blades for a clean appearance.
- Bird screen included standard. Insect screen can be specified.
- Available on 1" increments as standard. Custom sizes available down to 1/16" increments.
- Available with durable powder coat finish.



**3 DAY SHIP**  
ANY SIZE. ANY MODEL.  
GUARANTEED

**Additional Options**

- IS - Insect Screen
- A - Screw Holes
- AA - All Aluminum

**1. Specify the Length x Height Dimensions**

Inches  MM \_\_\_\_\_ x \_\_\_\_\_

**2. Select a Finish**

- W - White
- S - Silver
- B - Brown
- M - Mill
- FB - Flat Black
- Special: \_\_\_\_\_

**3. Select a Lead Time**

- 3 Day Ship
- Next Friday
- Standard Delivery

**Project / Location:** \_\_\_\_\_

**Architect:** \_\_\_\_\_

**Engineer:** \_\_\_\_\_

**Contractor:** \_\_\_\_\_