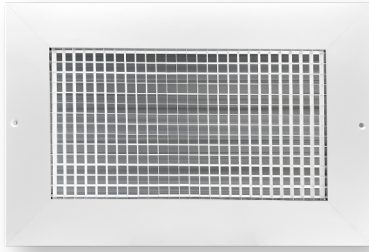
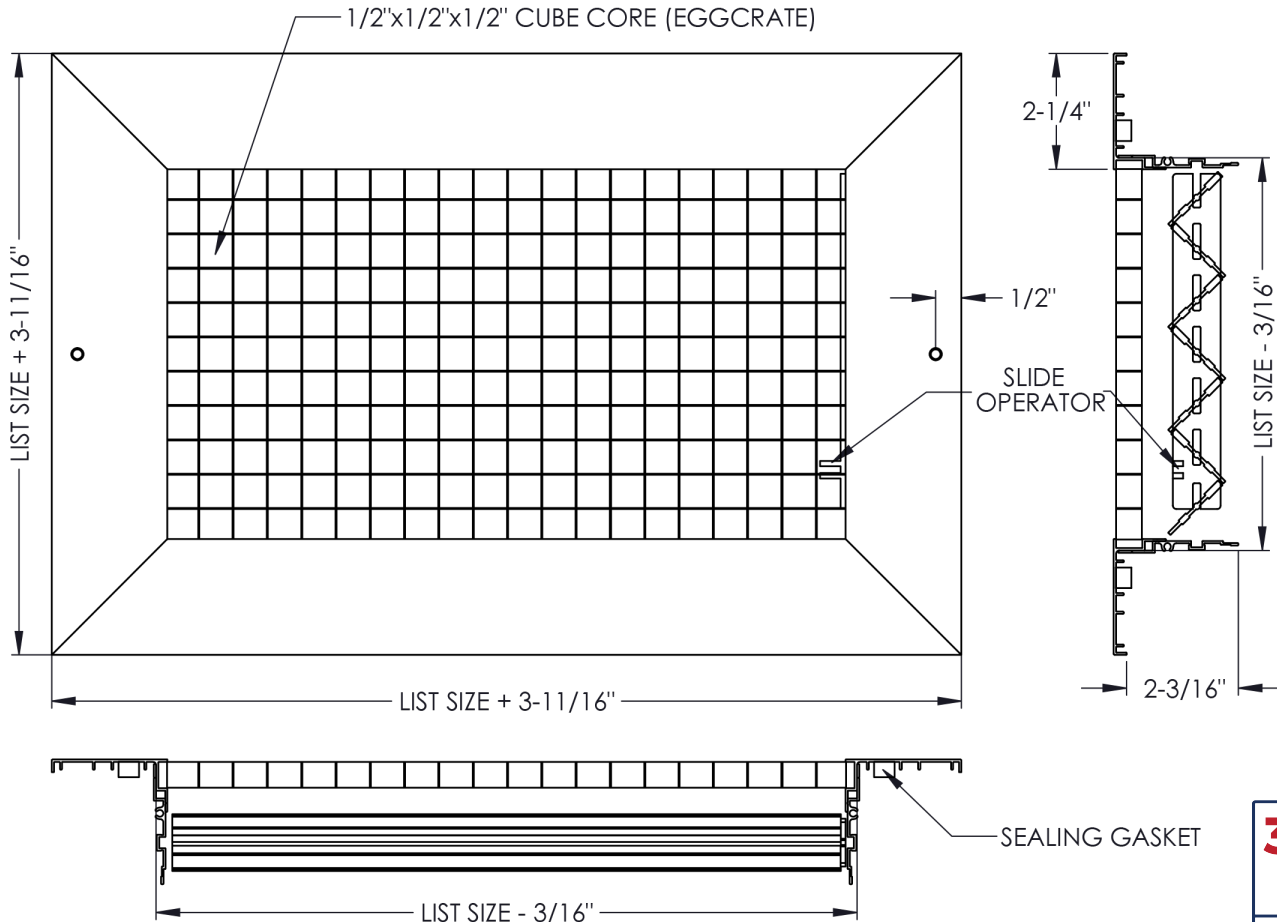


## DARE5D-WF | 1/2" x 1/2" x 1/2" Eggcrate Register w/ Wide Flange



- Wide flange for additional surface coverage.
- 1/2" x 1/2" x 1/2" aluminum eggcrate core.
- Opposed blade damper with slide operator.
- High-quality aluminum extruded frame.
- Countersunk #6 screw hole mounting c/w painted screws.
- Mullions used for dimensions over 60" in size.
- Available on 2" increments as standard. Custom sizes available down to 1/16" increments.
- Available with durable powder coat finish.



**1. Specify the Length x Height Dimensions**

Inches  MM \_\_\_\_\_ x \_\_\_\_\_

**2. Select a Finish**

- W - White
- S - Silver
- M - Mill

**3. Select a Lead Time**

- 3 Day Ship
- Next Friday
- Standard Delivery

**Additional Options**

- TB - No Screw Holes
- AA - All Aluminum

**Project / Location:** \_\_\_\_\_

**Architect:** \_\_\_\_\_

**Engineer:** \_\_\_\_\_

**Contractor:** \_\_\_\_\_

