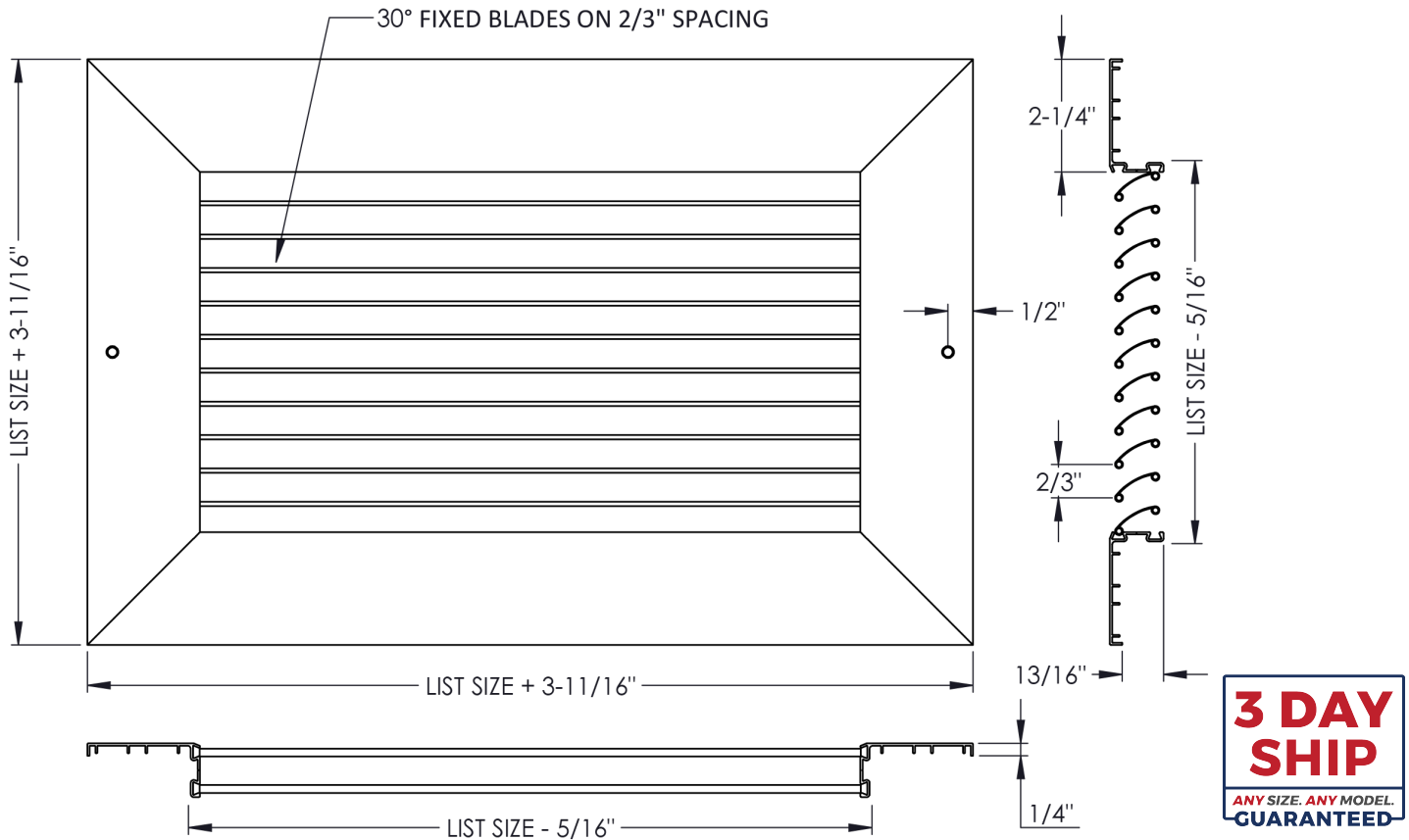


- Wide flange for additional surface coverage.
- Horizontal blades fixed on 30° deflection with 2/3" spacing.
- Roll-formed aluminum blades provide a stylish appearance.
- Pressure-fit nylon pivot pins provide rattle-free performance.
- High-quality aluminum extruded frame.
- Countersunk #6 screw hole mounting c/w painted screws.
- Mullions used for sizes over 22" in length.
- Available on 2" increments as standard. Custom sizes available down to 1/16" increments.
- Available with durable powder coat finish.



3 DAY SHIP
ANY SIZE. ANY MODEL.
GUARANTEED

Additional Options

D - Opposed Blade Damper

TB - No Screw Holes

IS - Insect Screen

AA - All Aluminum

1. Specify the Length x Height Dimensions

Inches MM _____ x _____

2. Select a Finish

W - White

S - Silver

M - Mill

3. Select a Lead Time

3 Day Ship

Next Friday

Standard Delivery

Project / Location: _____

Architect: _____

Engineer: _____

Contractor: _____