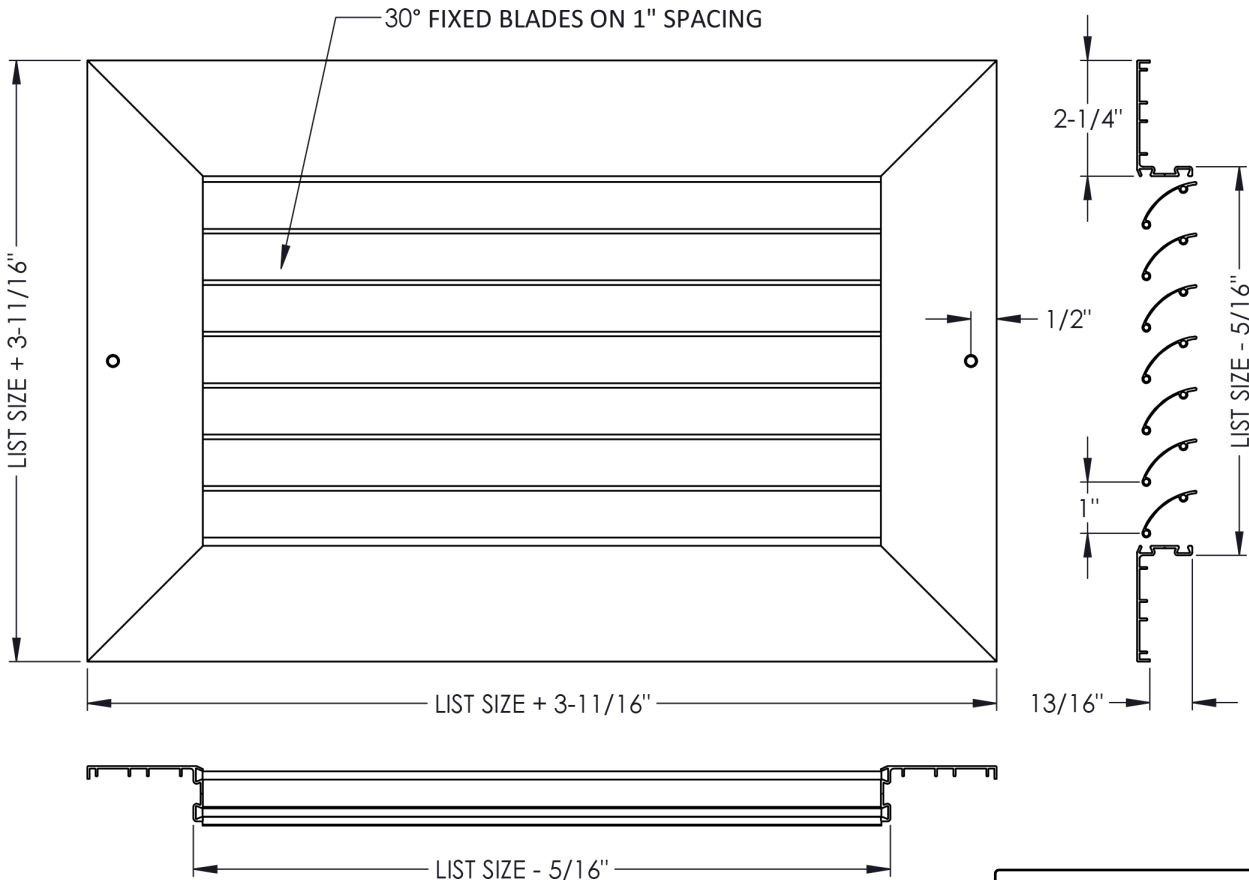




- Wide flange for additional surface coverage.
- Horizontal blades fixed on 30° deflection with 1" spacing.
- Roll-formed aluminum blades provide a stylish appearance.
- Pressure-fit nylon pivot pins provide rattle-free performance.
- High-quality aluminum extruded frame.
- Countersunk #6 screw hole mounting c/w painted screws.
- Mullions used for sizes over 22" in length.
- Available on 2" increments as standard. Custom sizes available down to 1/16" increments.
- Available with durable powder coat finish.



3 DAY SHIP
ANY SIZE. ANY MODEL.
GUARANTEED

- Additional Options**
- D** - Opposed Blade Damper
 - TB** - No Screw Holes
 - IS** - Insect Screen
 - AA** - All Aluminum

1. Specify the Length x Height Dimensions

Inches MM _____ x _____

2. Select a Finish

- W** - White
- S** - Silver
- M** - Mill

3. Select a Lead Time

- 3 Day Ship
- Next Friday
- Standard Delivery

Project / Location: _____

Architect: _____

Engineer: _____

Contractor: _____

