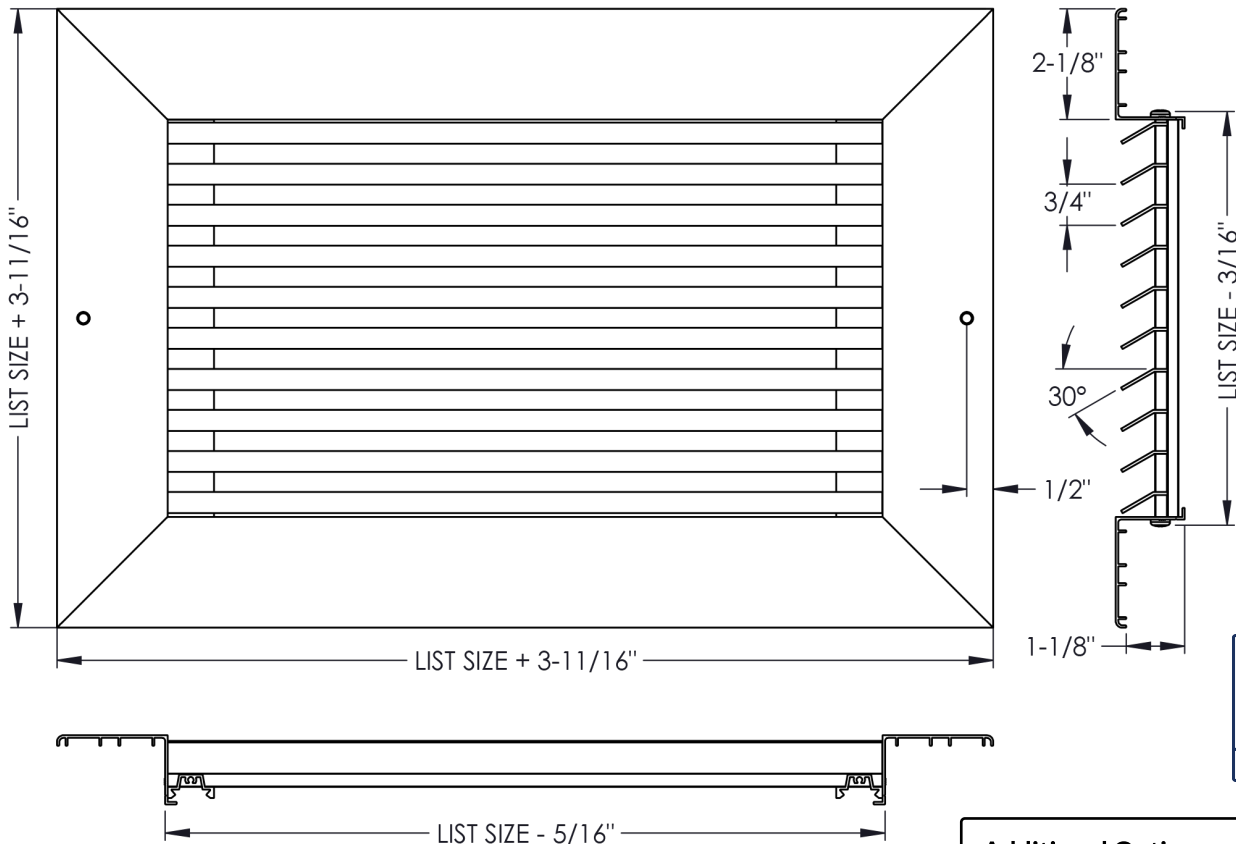




- Wide flange for additional surface coverage.
- Horizontal blades fixed on 30° deflection with 3/4" spacing.
- Constructed with high-quality, fully-extruded aluminum with blades designed for high efficiency.
- All supports are hidden behind blades for a continuous appearance.
- Countersunk #6 screw hole mounting c/w painted screws.
- Available on 2" increments as standard. Custom sizes available down to 1/16" increments.
- Available with durable powder coat finish.



3 DAY SHIP
ANY SIZE. ANY MODEL.
GUARANTEED

Additional Options

- D - Opposed Blade Damper
- TB - No Screw Holes
- BS - Bird Screen
- IS - Insect Screen
- AA - All Aluminum

1. Specify the Length x Height Dimensions

Inches MM _____ x _____

2. Select a Finish

- W - White
- S - Silver
- B - Brown
- M - Mill
- FB - Flat Black
- Special: _____

3. Select a Lead Time

- 3 Day Ship
- Next Friday
- Standard Delivery

Project / Location: _____
 Architect: _____
 Engineer: _____
 Contractor: _____