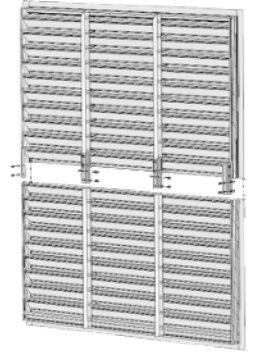


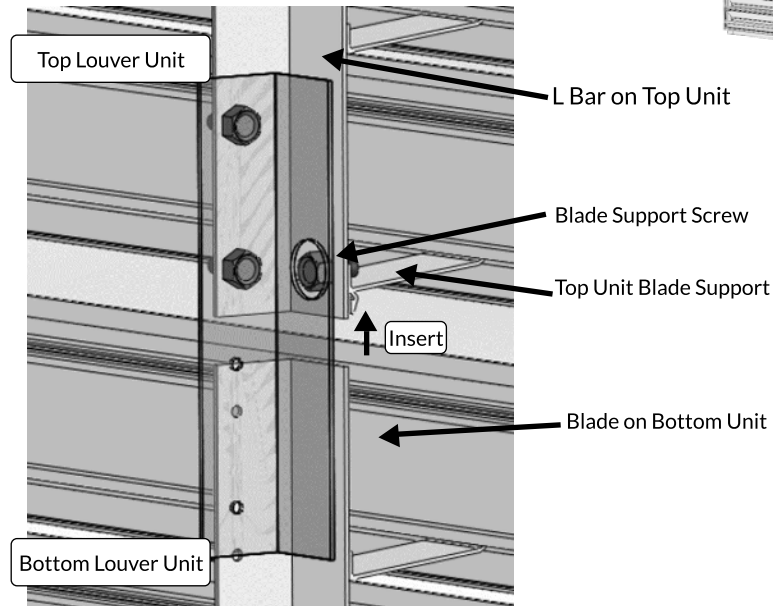
Vertical Multi-Pc Assembly

For more convenient handling and shipping, your 4" louver is constructed as a vertical multi-pc product. Follow these instructions to securely assemble the top and bottom units before installation.



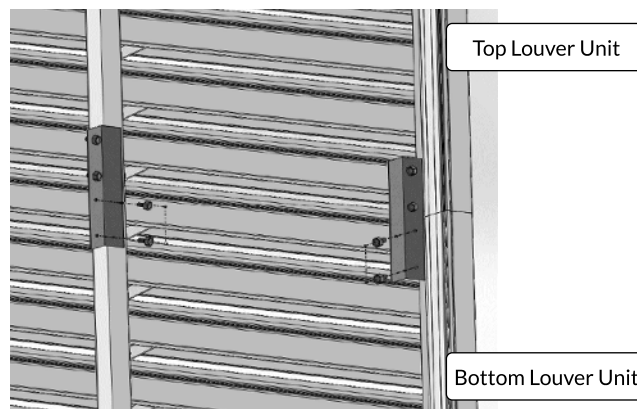
Step 1: Connect Blade and Blade Support

1. Loosen the blade support screw on the top unit to create a gap.
2. Insert the blade of the bottom unit into the created gap between the L bar and the top unit blade support.
3. Tighten the blade support screw to secure the blade in place.



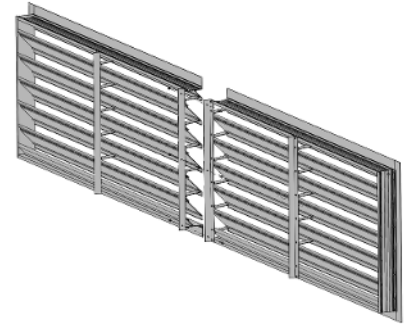
Step 2: Secure Top and Bottom Unit

1. Align top unit and bottom unit together.
2. **Outside Connection:** Insert the supplied bolts through the rear supports and the pre-drilled holes of the bottom unit. Hand tighten with the provided locking nuts.
3. **Middle Connection:** Insert the supplied bolts through the rear supports and the pre-drilled holes of the bottom unit. Hand tighten with the provided locking nuts.
4. Tighten all bolts.



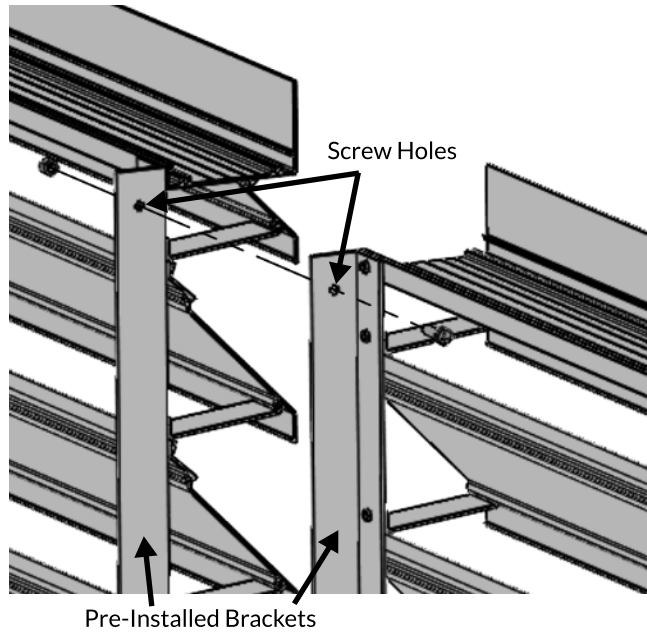
Horizontal Multi-Pc Assembly

For more convenient handling and shipping, your 4" louver was constructed as a horizontal multi-pc product. Follow these instructions to securely assemble the units before installation.



Step 1: Align Brackets

1. Locate the pre-installed brackets on the back of the louver.
2. Note the provided screw holes and align.



Step 2: Secure Brackets

1. Use provided bolt and nut to secure brackets together.
2. Ensure louver blades in front are properly aligned before tightening all bolts.

