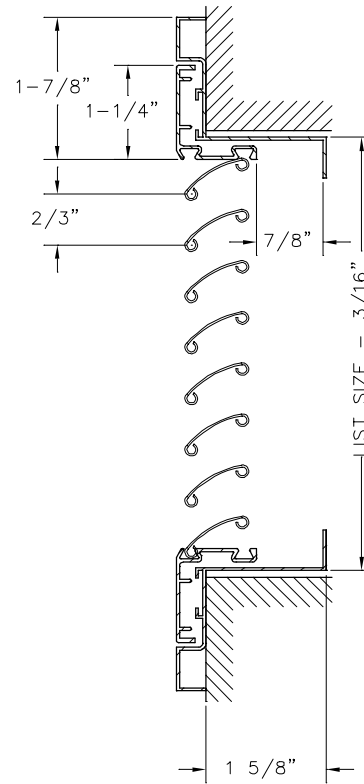
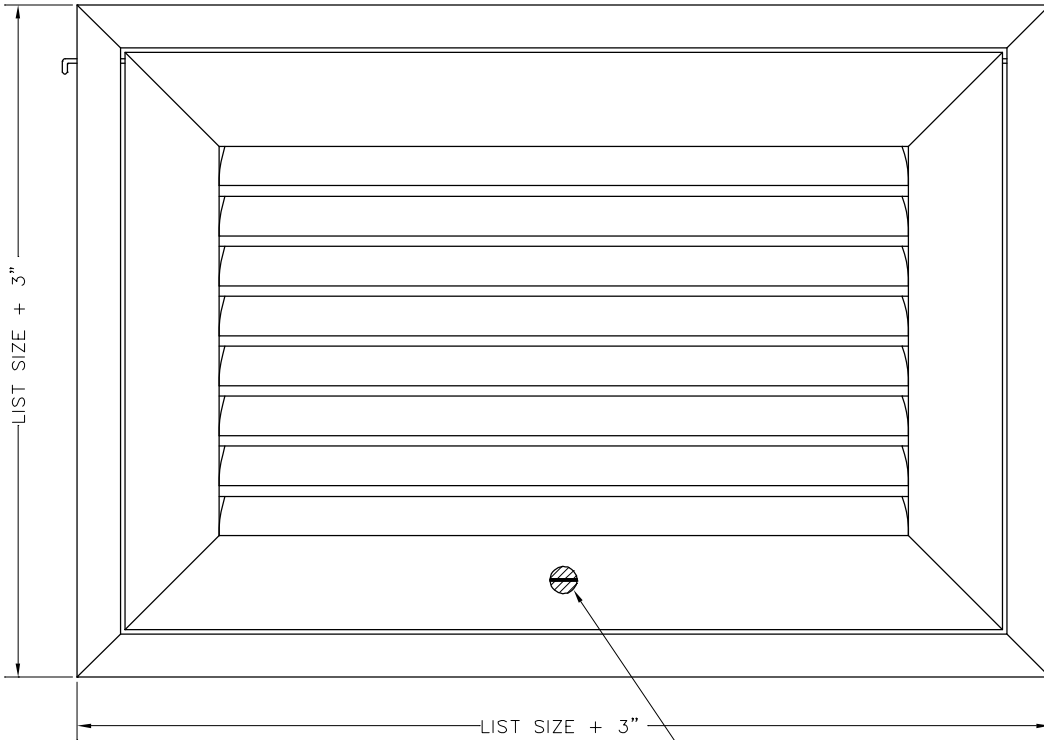
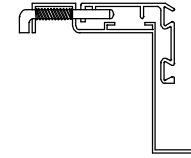


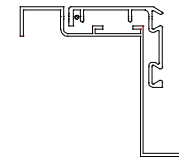
TOP MOUNTING METHOD SPECIFIED FIRST  
(RECOMMENDED A & B ONLY)



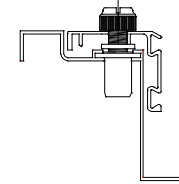
A Spring Pins – Removable Grille  
(Recommended for Top Mounting Only)



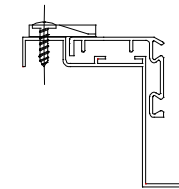
B Wire – Non Removable Grille  
(Recommended for Top Mounting Only)



C Nylon Thumb Screw



D Nylon Screen Tabs



NOTE: DARH-FG A&C SHOWN ABOVE

BOTTOM MOUNTING METHOD  
SPECIFIED SECOND



**Dayus Register & Grille Inc.**  
 5290 Pulleyblank St., Windsor On. N9A 6J3  
 Phone (519) 737-1199 Fax (519) 737-1831  
 www.dayus.com Email sales@dayus.com

MODEL NO. DARH-FG_&_	
PRODUCT DESCRIPTION RETURN AIR FILTER GRILLE	
FACE BARS HORIZONTAL FIXED 30°	REAR BARS N/A
DAMPERS N/A	MATERIAL ALUMINUM
FINISH WHITE/SILVER/MILL	DATE REVISED 3/28/06
FILE NAME 021 PDF Drawings\05 Filter\040600 DARH-FG_&_.DWG	