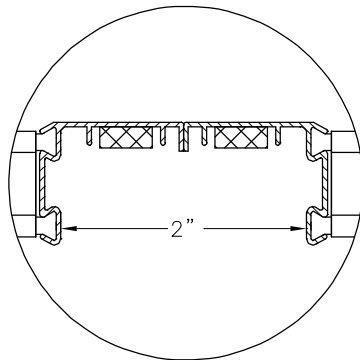
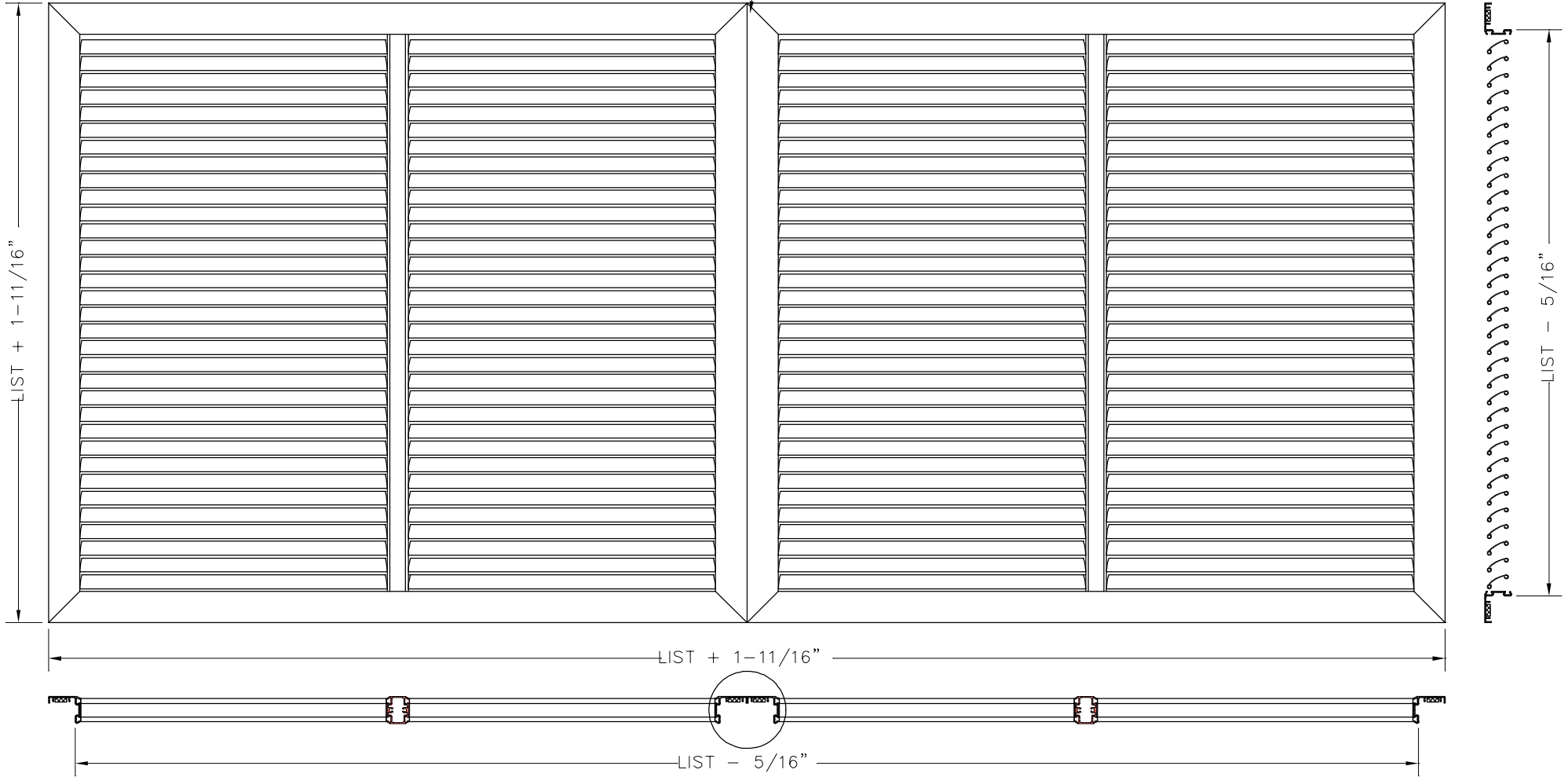



SUPPORT REQUIRED FOR A PROPER INSTALLATION BY OTHERS  
(NOT PROVIDED BY DRG)



	<b>Dayus Register &amp; Grille Inc.</b> 5290 Pulleyblank St, RR#1., Windsor, ON, N9A 6J3 Phone (519) 737-1199 Fax (519) 737-1831 www.dayus.com Email sales@dayus.com	
	MODEL NO. <b>DARH 2 FULL FRAME SECTIONS</b>	
PRODUCT DESCRIPTION <b>RETURN AIR GRILLE IN 2 SECTIONS</b>		
FACE BARS HORIZONTAL FIXED 30'	REAR BARS N/A	
DAMPERS N/A	MATERIAL ALUMINUM	
COLOR WHITE/SILVER/MILL	DATE REVISED 9/15/09	
FILE NAME 021 Updated Autocad Drawings\03 Return\ DARH with FULL FRAME.DWG		