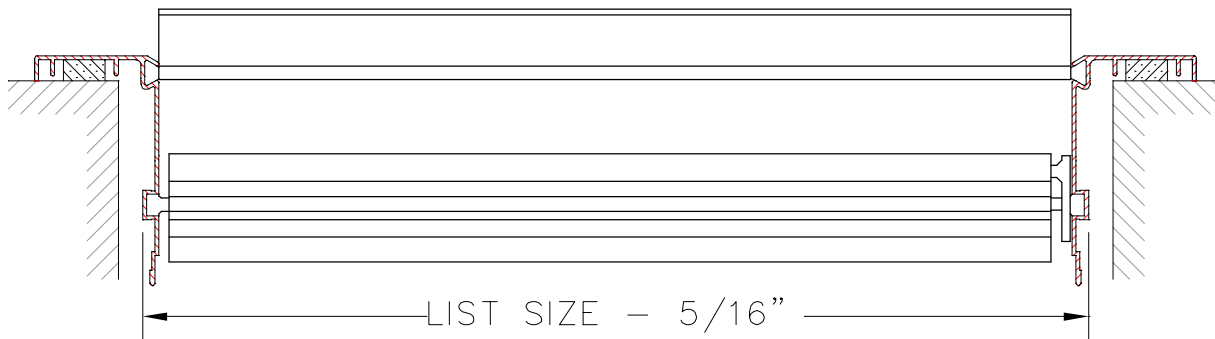
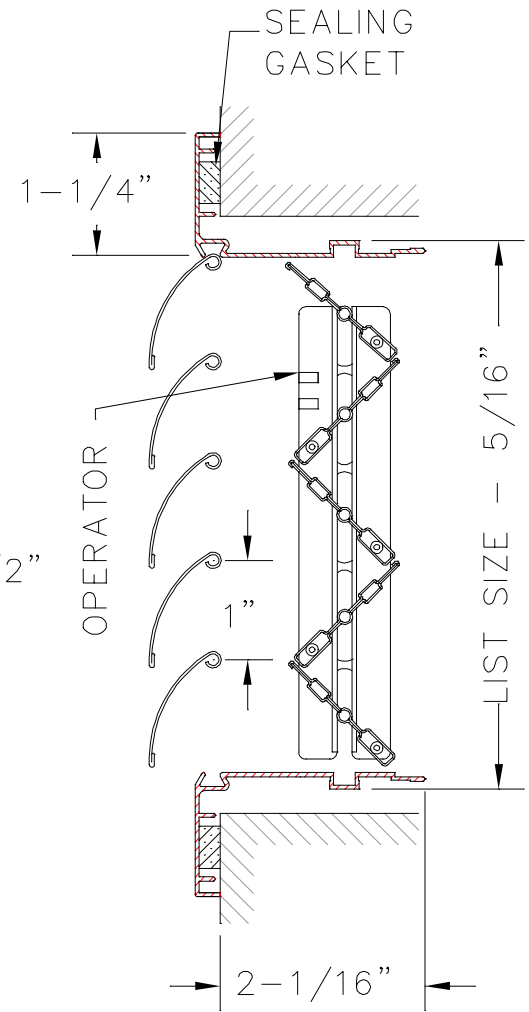
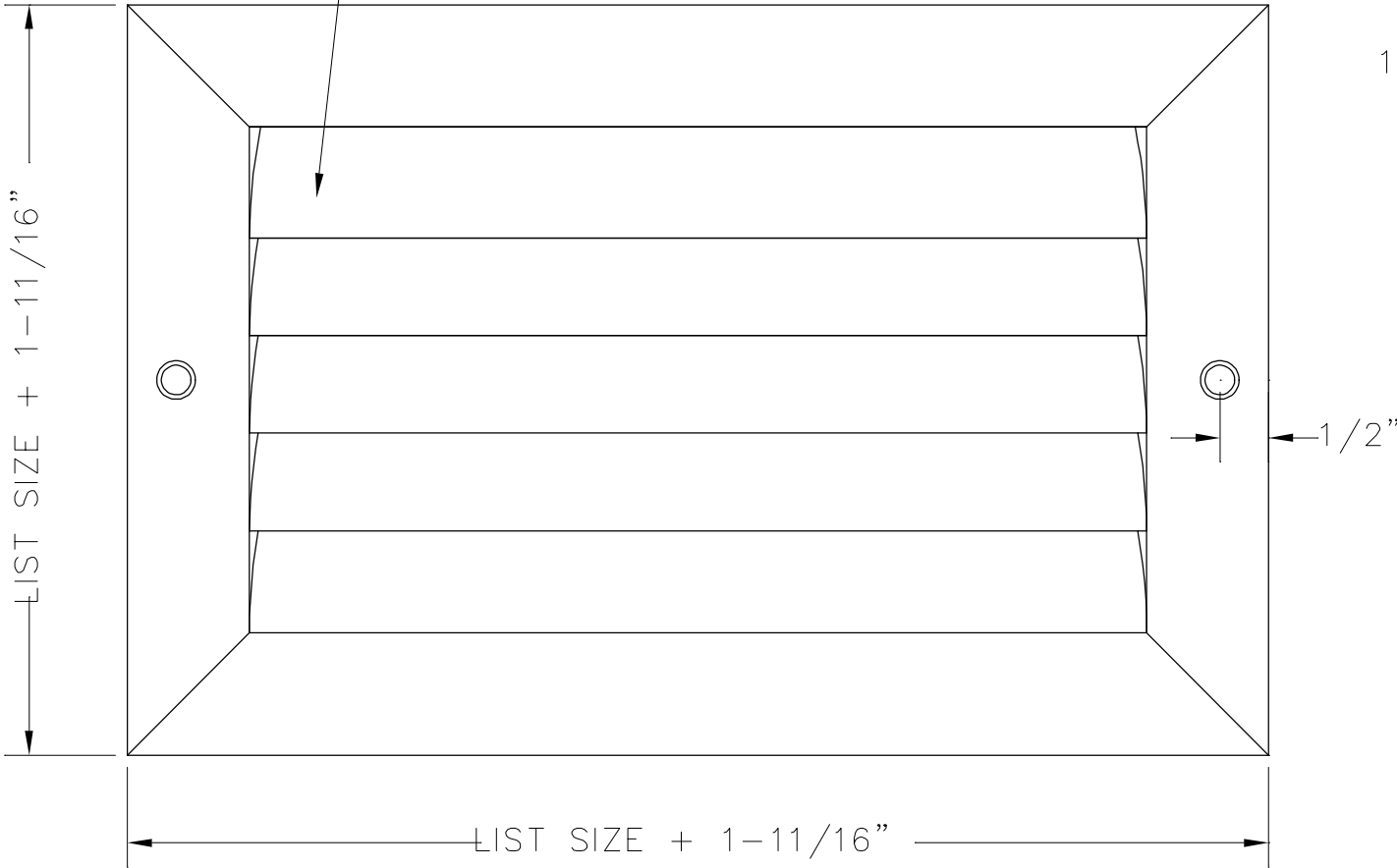


INDIVIDUALLY ADJUSTABLE BLADES ON 1" SPACING



Dayus Register & Grille Inc.
 5290 Pulleyblank St., Windsor On. N9A 6J3
 Phone (519) 737-1199 Fax (519) 737-1831
 www.dayus.com Email sales@dayus.com

DAY SHIP GUARANTEED

MODEL NO. DAC1HD	
PRODUCT DESCRIPTION ONE WAY CURVED BLADE REGISTER	
FACE BARS HORIZONTAL ADJUSTABLE	REAR BARS N/A
DAMPERS OPPOSED BLADE	MATERIAL ALUMINUM
COLOR WHITE/SILVER/MILL	DATE REVISED 12/22/10
FILE NAME 021 PDF Drawings\07 Curved Blades\061200 DAC1HD.DWG	