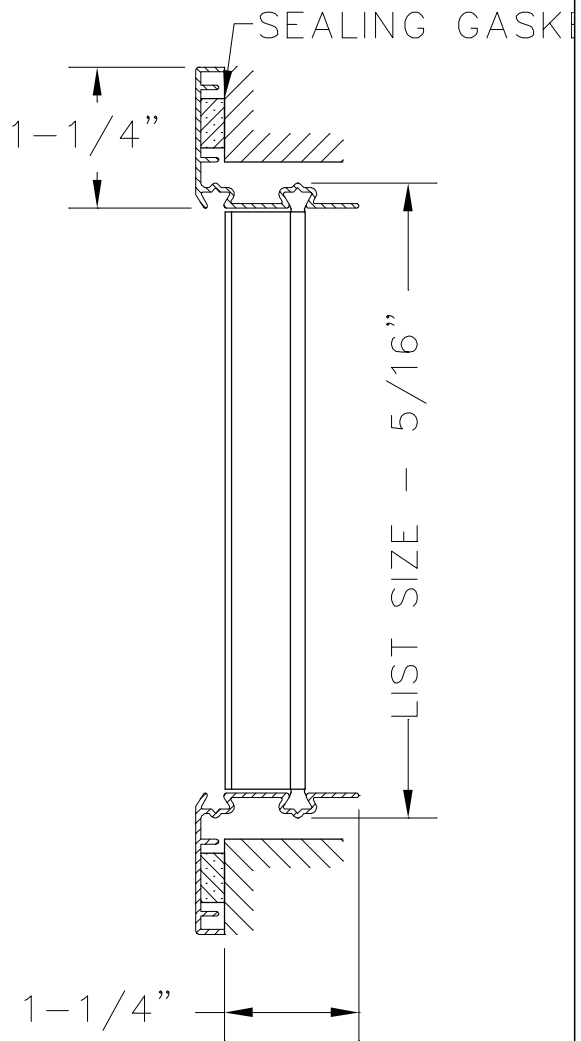
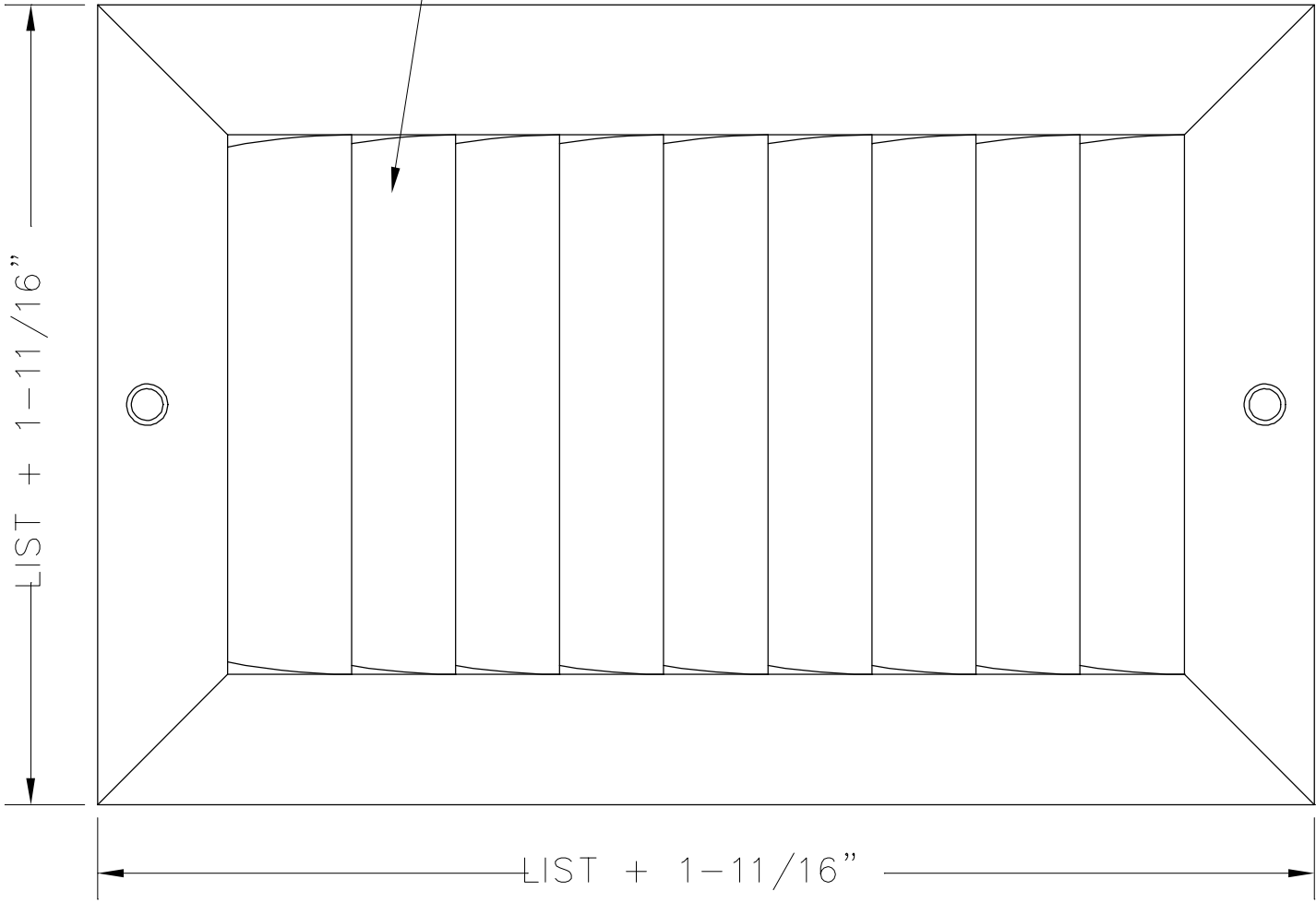


INDIVIDUALLY ADJUSTABLE BLADES



Dayus Register & Grille Inc.
 5290 Pulleyblank St., Windsor On. N9A 6J3
 Phone (519) 737-1199 Fax (519) 737-1831
 www.dayus.com Email sales@dayus.com

DAY SHIP GUARANTEE

MODEL NO. DAC1V-R	
PRODUCT DESCRIPTION ONE WAY CURVED BLADE GRILLE - RECESSED	
FACE BARS VERTICAL ADJUSTABLE	REAR BARS N/A
DAMPERS N/A	MATERIAL ALUMINUM
COLOR WHITE/SILVER/MILL	DATE REVISED 3/4/10
FILE NAME 020_Autocad_Drawings\07 Curved Blades\060110 DAC1V-R.DWG	