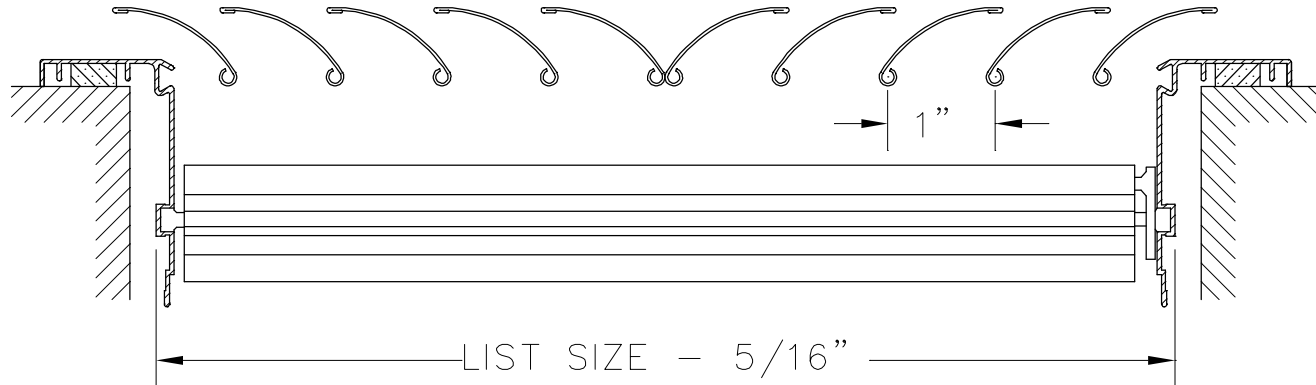
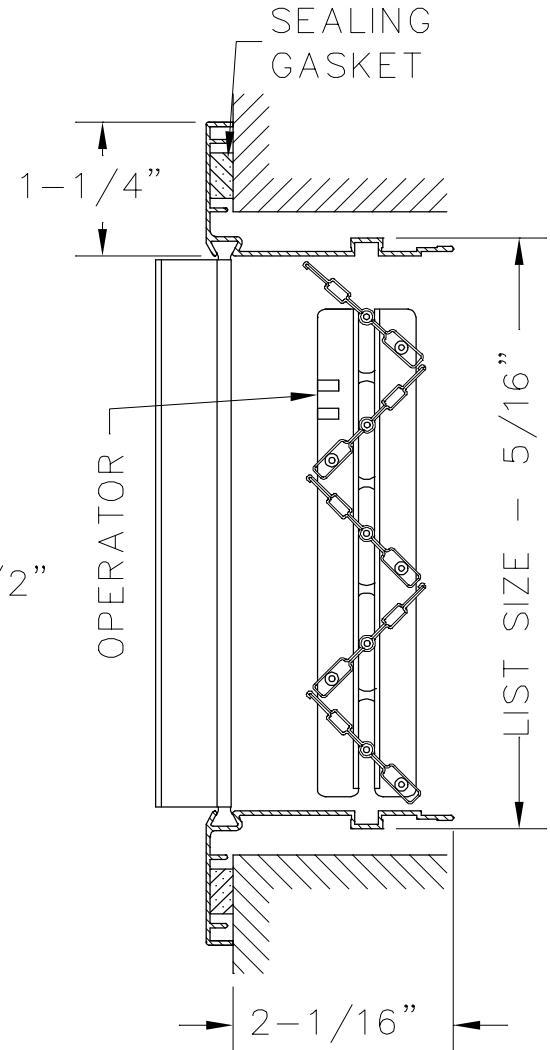
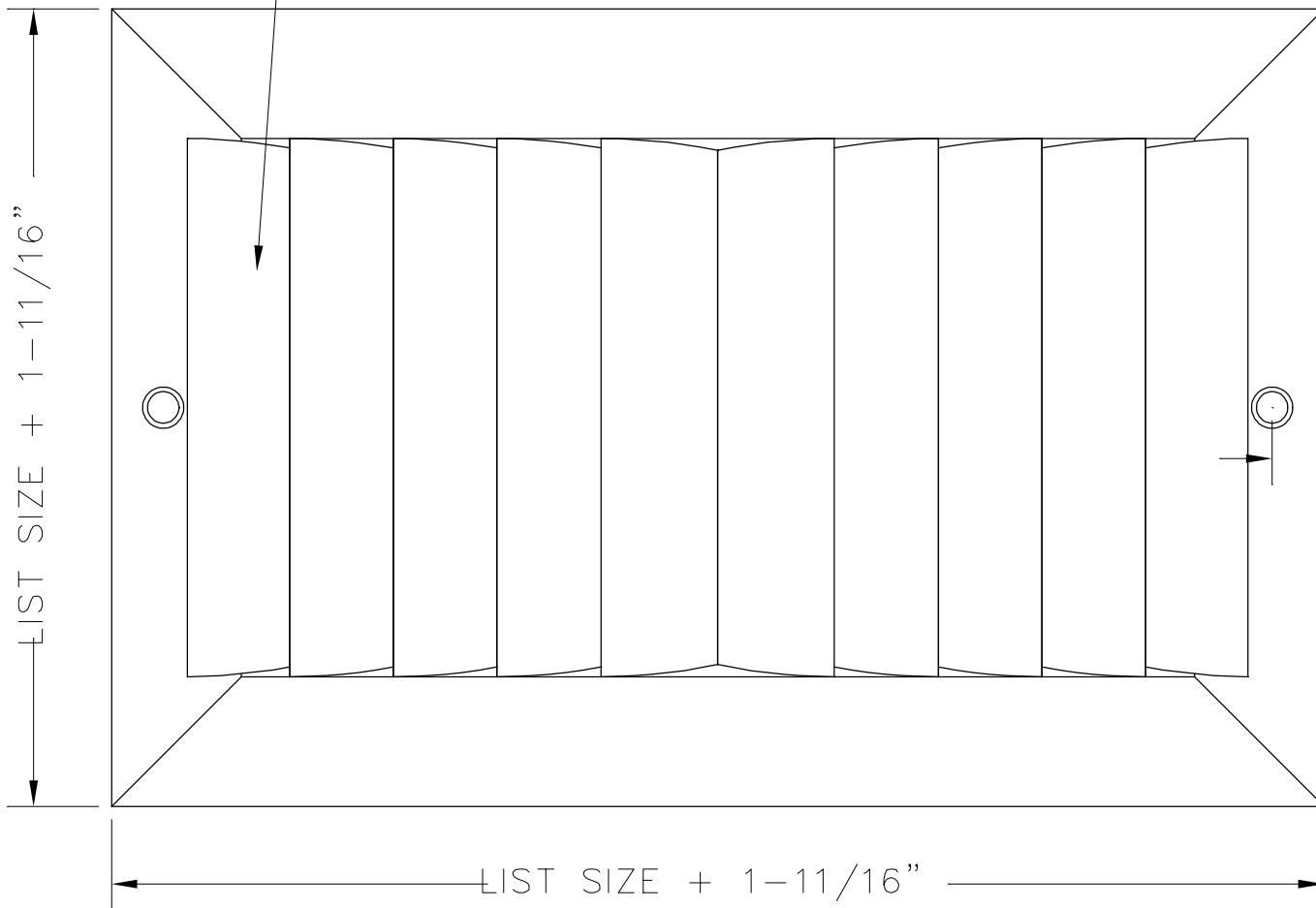



INDIVIDUALLY ADJUSTABLE BLADES ON 1" SPACING



 Dayus Register & Grille Inc. 5290 Pulleyblank St., Windsor On. N9A 6J3 Phone (519) 737-1199 Fax (519) 737-1831 www.dayus.com Email sales@dayus.com	
MODEL NO. DAC2VD	
PRODUCT DESCRIPTION TWO WAY CURVED BLADE REGISTER	
FACE BARS VERTICAL ADJUSTABLE	REAR BARS N/A
DAMPERS OPPOSED BLADE	MATERIAL ALUMINUM
COLOR WHITE/SILVER/MILL	DATE REVISED 12/23/10
FILE NAME 021 PDF Drawings\07 Curved Blades\061300 DAC2VD.DWG	