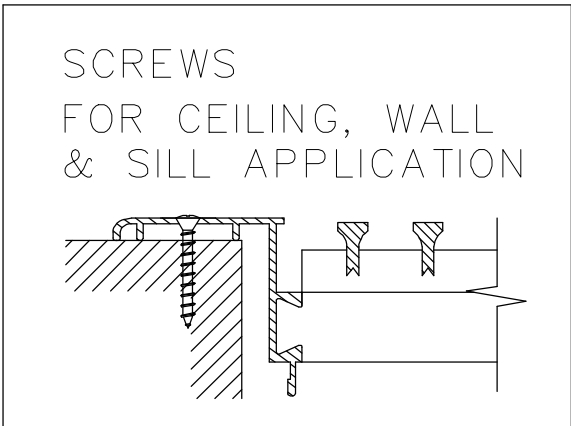



OF BLADES = (LIST SIZE - 1) * 2



 Dayus Register & Grille Inc. 5290 Pulleyblank St., Windsor On. N9A 6J3 Phone (519) 737-1199 Fax (519) 737-1831 www.dayus.com Email sales@dayus.com	
MODEL NO. DABL-00-A	
PRODUCT DESCRIPTION BAR LINEAR GRILLE - WALL, CEILING & SILL	
FACE BLADES HORIZONTAL FIXED	BLADE TYPE 0° DEFLECTION
DAMPERS N/A	MATERIAL ALUMINUM
COLOR WHITE/SILVER/BROWN/MILL	DATE REVISED 2/28/11
FILE NAME 021 PDF Drawings\09 Bar Linear\080250 DABL-00-A.DWG	