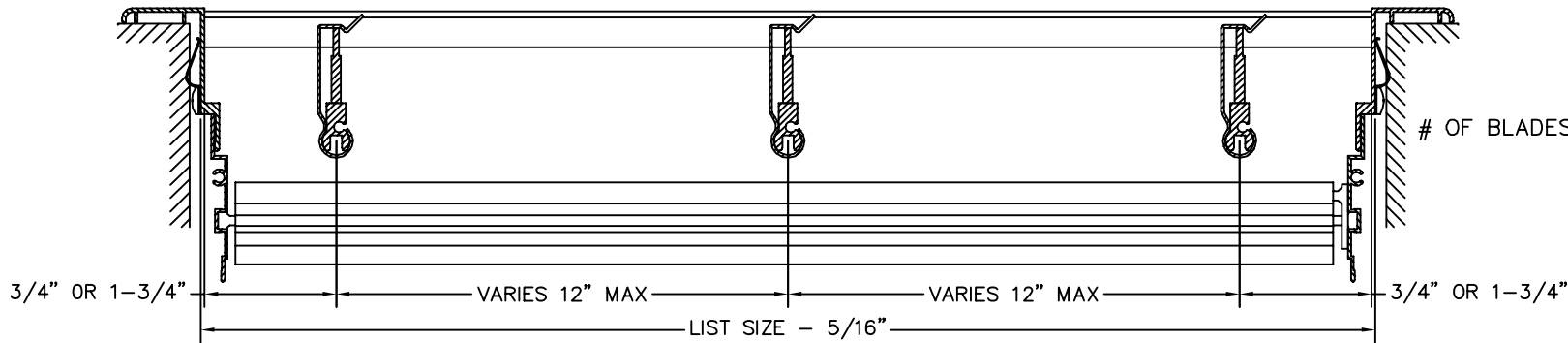
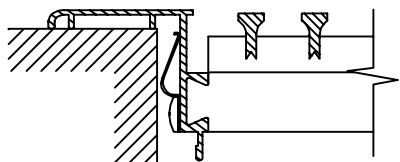


OF BLADES = (LIST SIZE*4)-3




NOTE: OBD FRAME AND MULLION B ARE ATTACHED BY RIVETS

SPRING CLIPS
FOR SILL USE ONLY!
NOT FOR CEILING OR WALL



SUFFIX: -B

NOT SUITABLE FOR FLOOR USE

 Dayus Register & Grille Inc. 5290 Pulleyblank St., Windsor On. N9A 6J3 Phone (519) 737-1199 Fax (519) 737-1831 www.dayus.com Email sales@dayus.com	
MODEL NO. DABLDR-84-B	
PRODUCT DESCRIPTION BAR LINEAR REMOVEABLE REGISTER - SILL USE ONLY	
FACE BLADES HORIZONTAL FIXED	BLADE TYPE 1/8" BLADES ON 1/4" CENTERS
DAMPERS OPPOSED BLADE	MATERIAL ALUMINUM
COLOR WHITE/SILVER/BROWN/MILL	DATE REVISED 4/19/13
FILE NAME 021 PDF Drawings\09 Bar Linear\081020 DABLDR-84-B.DWG	