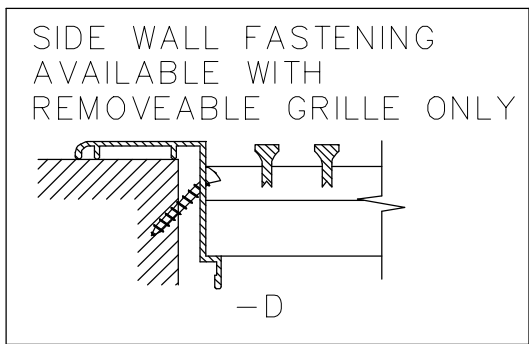



OF BLADES=(LIST SIZE-1)*2+1



 Dayus Register & Grille Inc. 5290 Pulleyblank St., Windsor On. N9A 6J3 Phone (519) 737-1199 Fax (519) 737-1831 www.dayus.com Email sales@dayus.com	
MODEL NO. DABLR-15-D	
PRODUCT DESCRIPTION BAR LINEAR REMOVEABLE GRILLE - SIDEWALL MOUNTING	
FACE BLADES HORIZONTAL FIXED	BLADE TYPE 15° DEFLECTION
DAMPERS N/A	MATERIAL ALUMINUM
FINISH WHITE/SILVER/BROWN	DATE REVISED 7/4/07
FILE NAME Q21 PDF Drawings\09 Bar Linear\080320 DABLR-15-D.DWG	