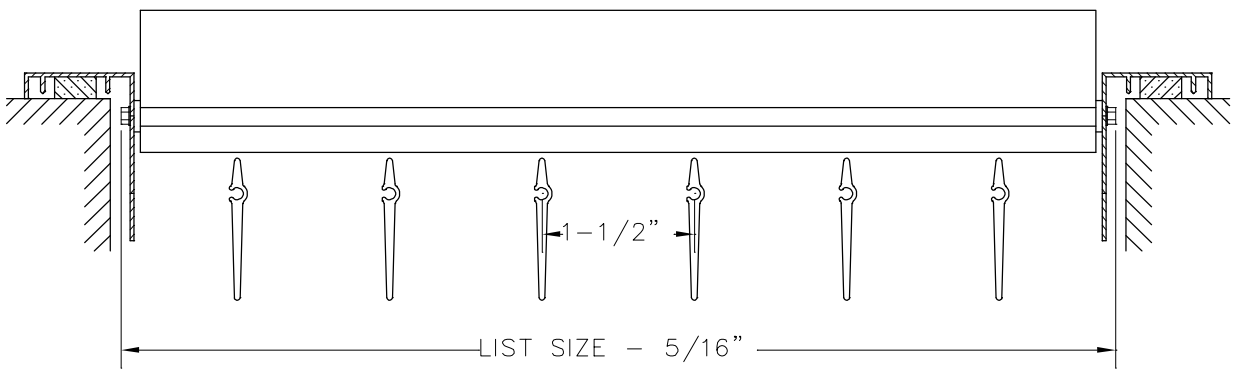
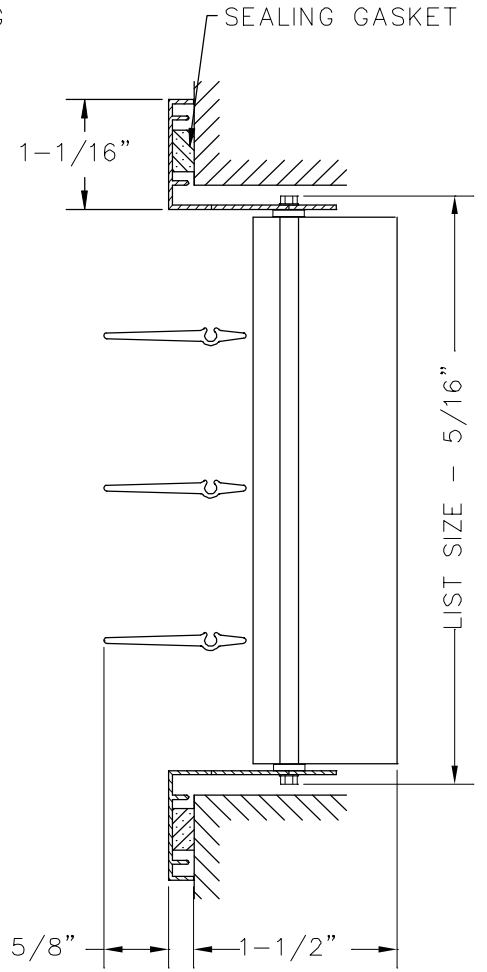
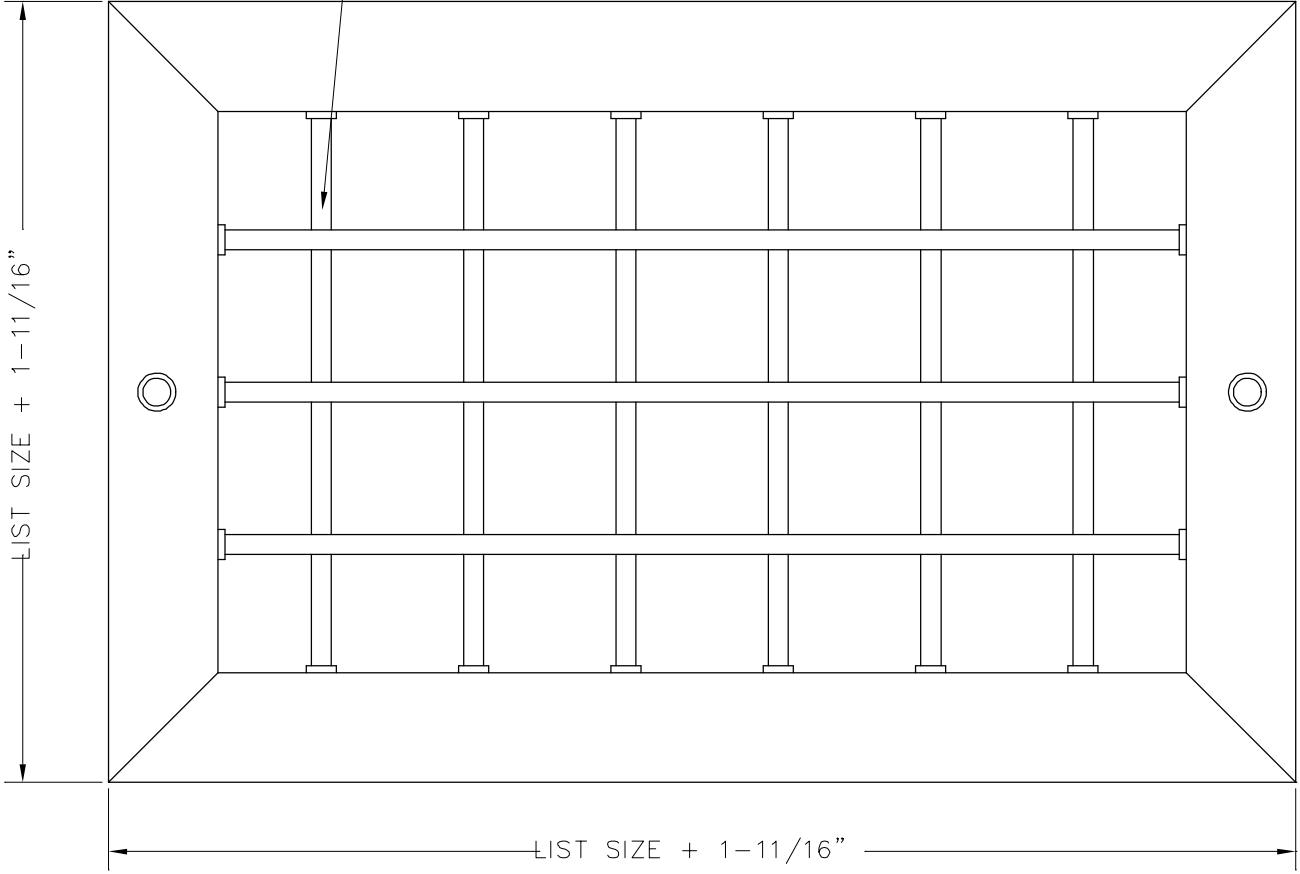



INDIVIDUALLY ADJUSTABLE EXTRUDED BLADES ON 1-1/2" SPACING





Dayus Register & Grille Inc.

5290 Pulleyblank St., Windsor On. N9A 6J3
 Phone (519) 737-1199 Fax (519) 737-1831
 www.dayus.com Email sales@dayus.com

MODEL NO. DAIGHV	
PRODUCT DESCRIPTION DOUBLE DEFLECTION INDUSTRIAL SUPPLY GRILLES	
FACE BARS HORIZONTAL ADJUSTABLE	REAR BARS VERTICAL ADJUSTABLE
DAMPERS N/A	MATERIAL ALUMINUM
COLOR WHITE/SILVER	DATE REVISED 3/21/11
FILE NAME 021 PDF Drawings\10 Industrial\091300 DAIGHV.DWG	