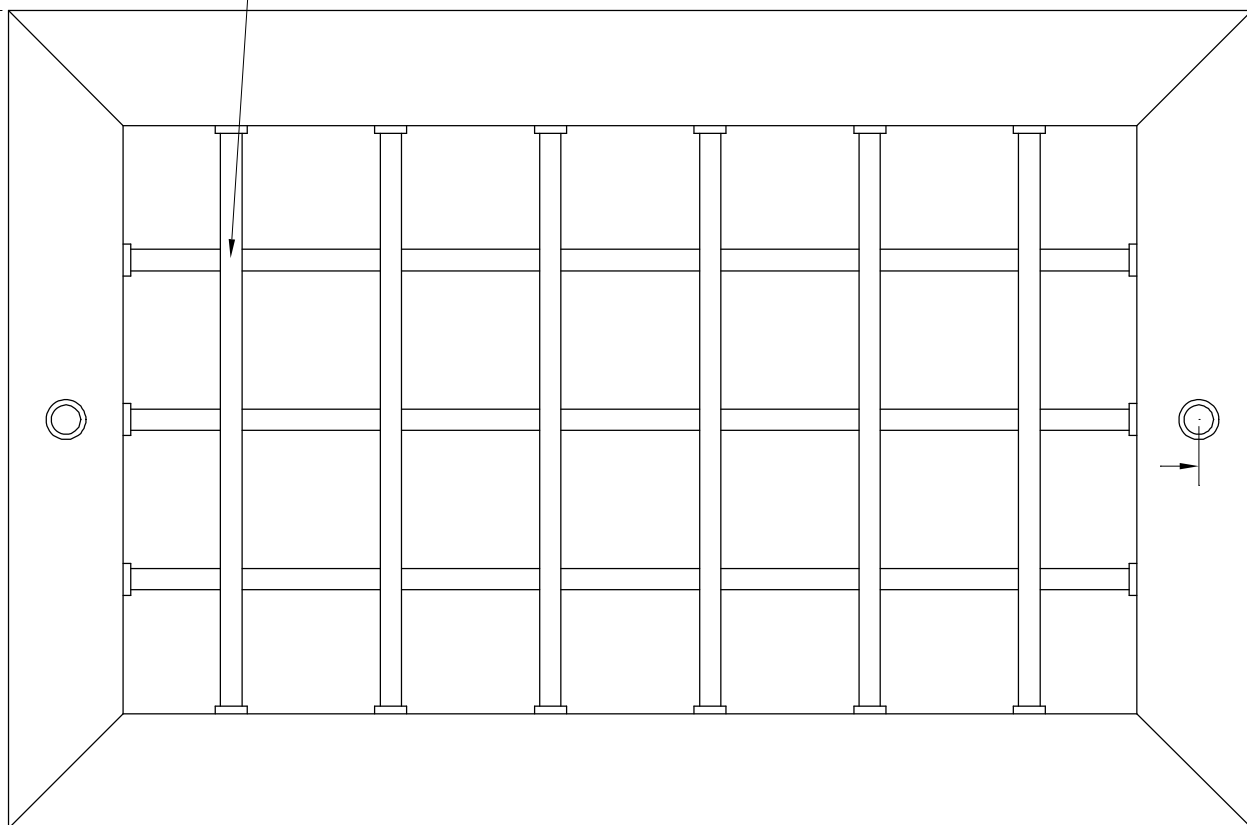


INDIVIDUALLY ADJUSTABLE EXTRUDED BLADES ON 1-1/2" SPACING

SEALING GASKET

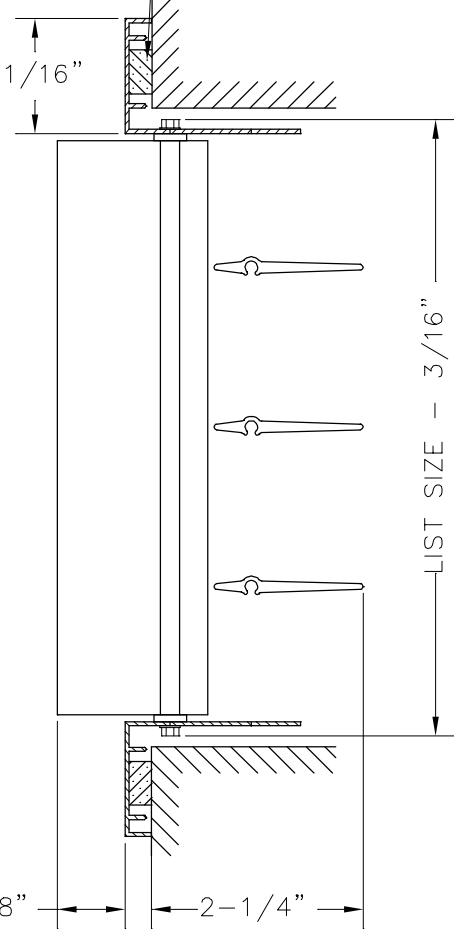
LIST SIZE + 1-11/16"



1-1/16"

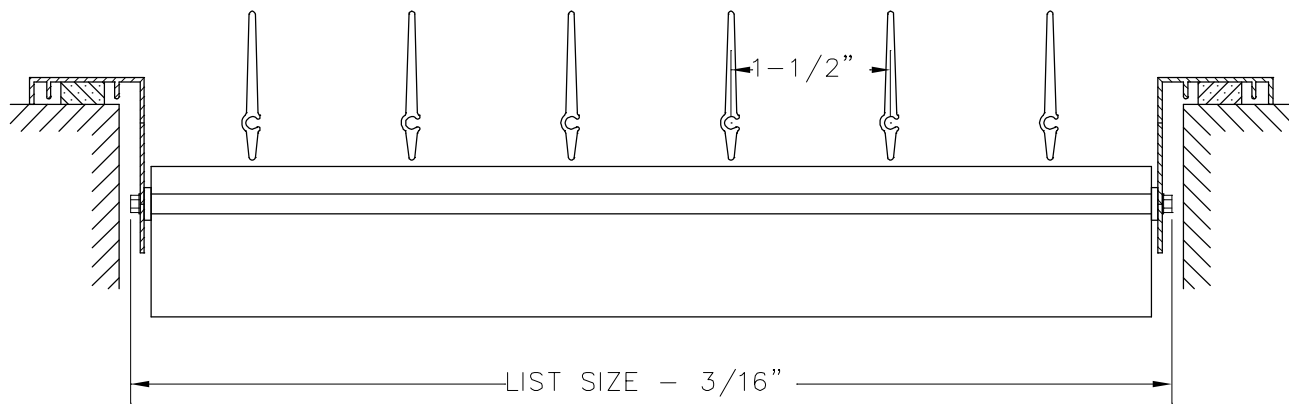
1/2"

5/8"




LIST SIZE - 3/16"

2-1/4"



1-1/2"

LIST SIZE - 3/16"

 Dayus Register & Grille Inc. 5290 Pulleyblank St., Windsor On. N9A 6J3 Phone (519) 737-1199 Fax (519) 737-1831 www.dayus.com Email sales@dayus.com	
MODEL NO. DAIGVH	
PRODUCT DESCRIPTION DOUBLE DEFLECTION INDUSTRIAL SUPPLY GRILLES	
FACE BARS VERTICAL ADJUSTABLE	REAR BARS HORIZONTAL ADJUSTABLE
DAMPERS N/A	MATERIAL ALUMINUM
COLOR WHITE or SILVER	DATE REVISED 3/22/11
FILE NAME O21 PDF Drawings\10 Industrial\090700 DAIGVH.DWG	