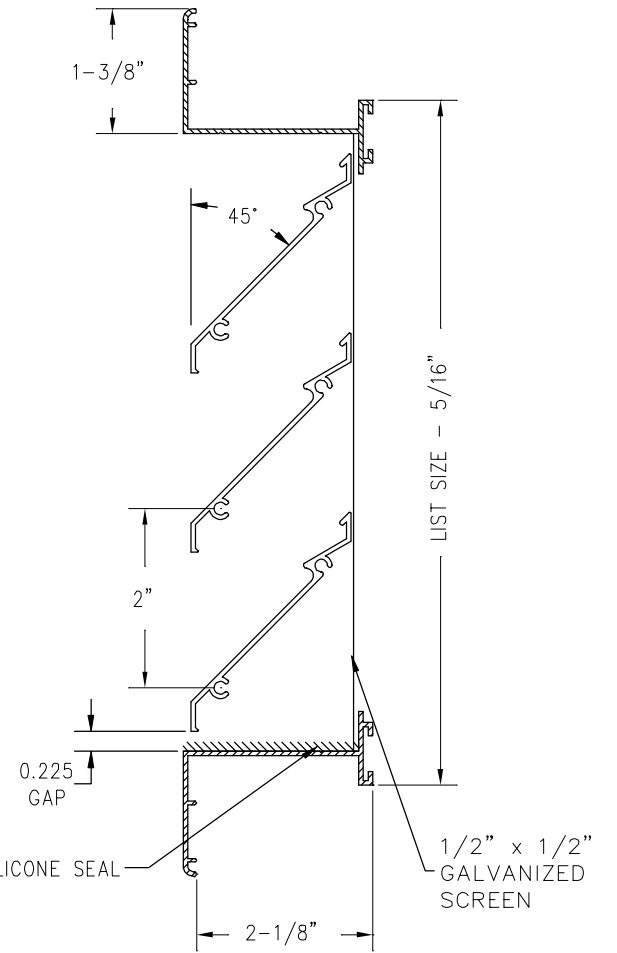
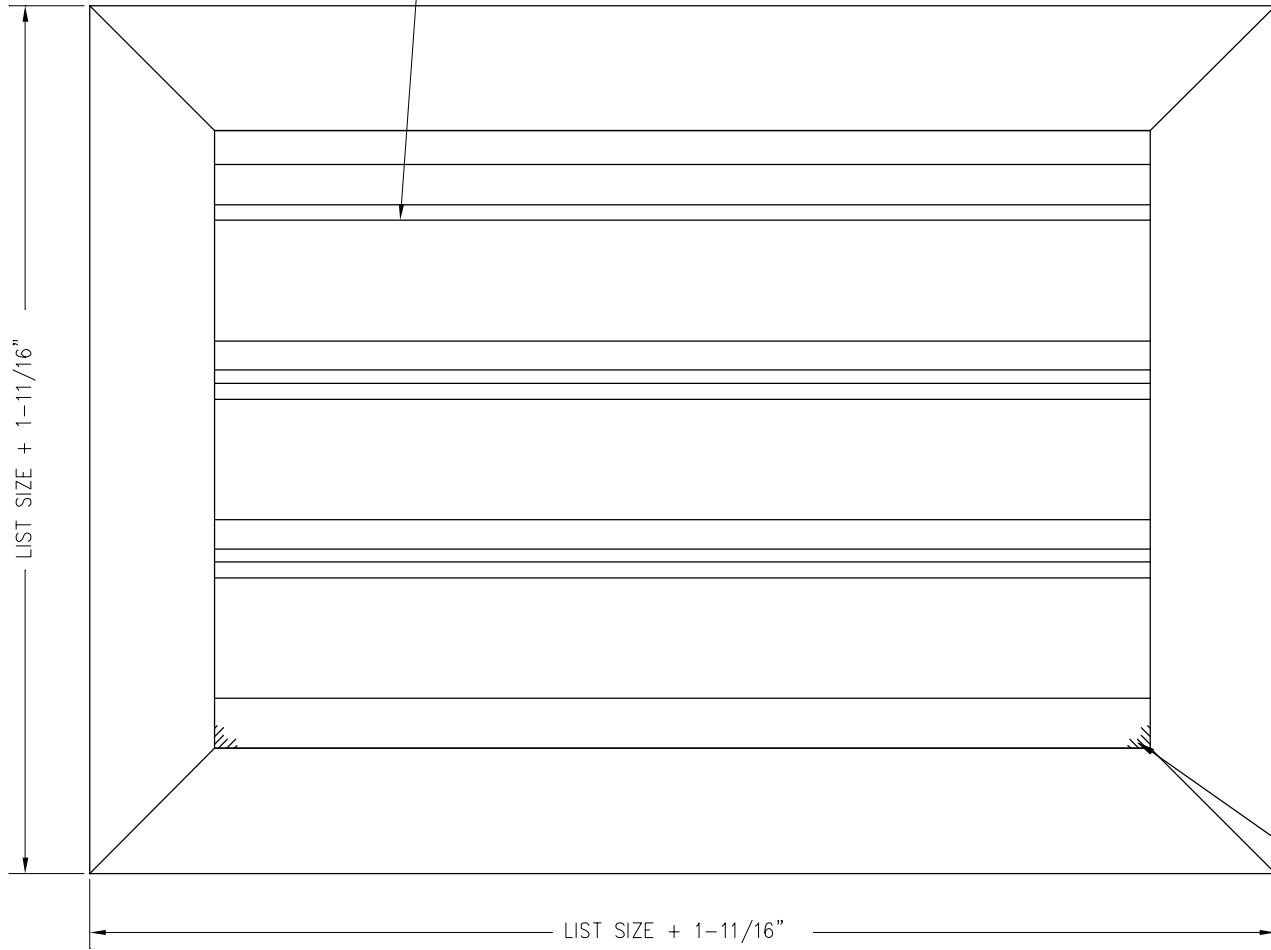



STORMPROOF BLADES ON 2" SPACING



 Dayus Register & Grille Inc. 5290 Pulleyblank St., Windsor On. N9A 6J3 Phone (519) 737-1199 Fax (519) 737-1831 www.dayus.com Email sales@dayus.com	
MODEL NO. DAL2-FF	
PRODUCT DESCRIPTION 2" STORM PROOF LOUVERS	
FACE BARS 45° STORM PROOF	SCREEN 1/2" x 1/2" GALVANIZED
THICKNESS 0.050"	MATERIAL 6063-T5 EXTRUDED ALUMINUM
COLOR WHITE/SILVER/MILL/BROWN	DATE REVISED 11/24/06
FILE NAME 021 PDF Drawings\11 2" Louvers\100200 DAL2-FF.DWG	