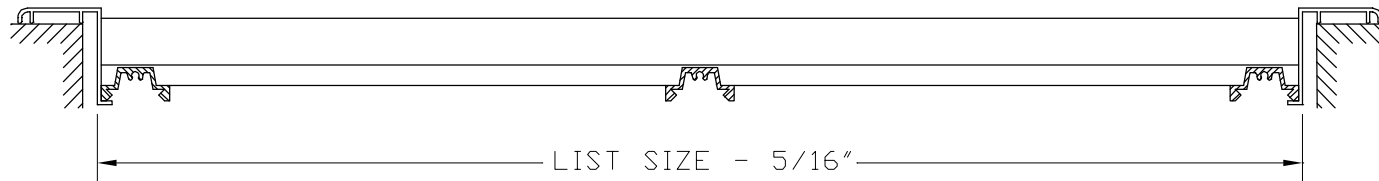
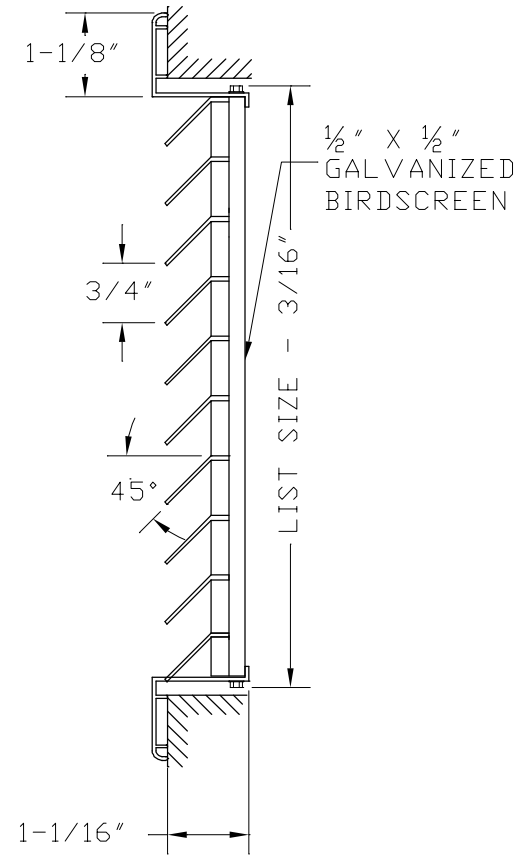
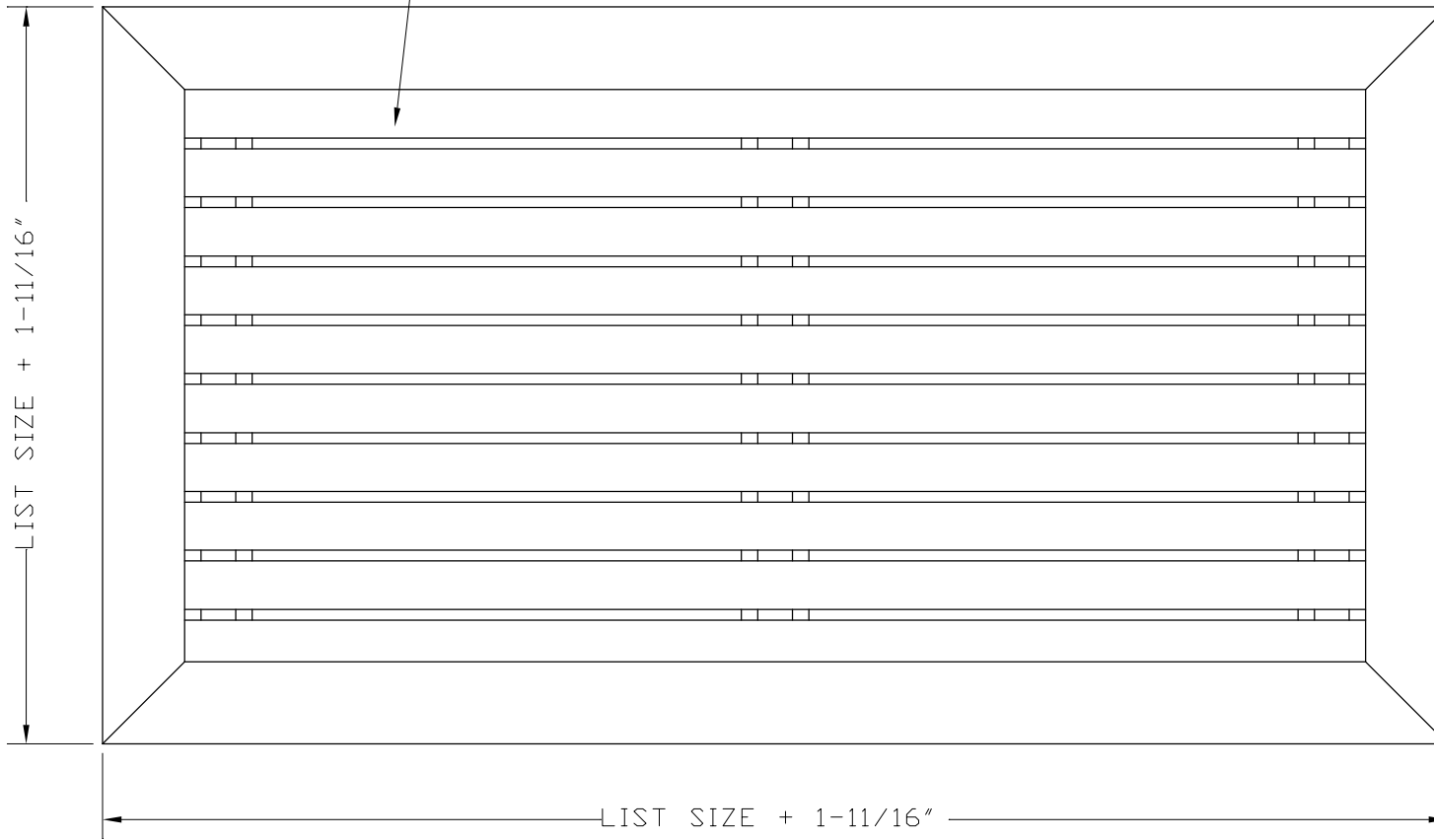



45° EXTRUDED BLADE ON 3/4" SPACING





Dayus Register & Grille Inc.
 5290 Pulleyblank St., Windsor On. N9A 6J3
 Phone (519) 737-1199 Fax (519) 737-1831
 www.dayus.com Email sales@dayus.com

MODEL NO DALTL-45	
PRODUCT DESCRIPTION THIN LINE LOUVER 45°	
FACE BARS HORIZONTAL FIXED	REAR BARS N/A
DAMPERS N/A	MATERIAL ALUMINUM
COLOR MILL/WHITE/SILVER/BROWN	DATE REVISED 3/23/11
FILE NAME 021 PDF DRAWINGS\12 THIN LINE LOUVER\110300 DALTL-45.DWG	