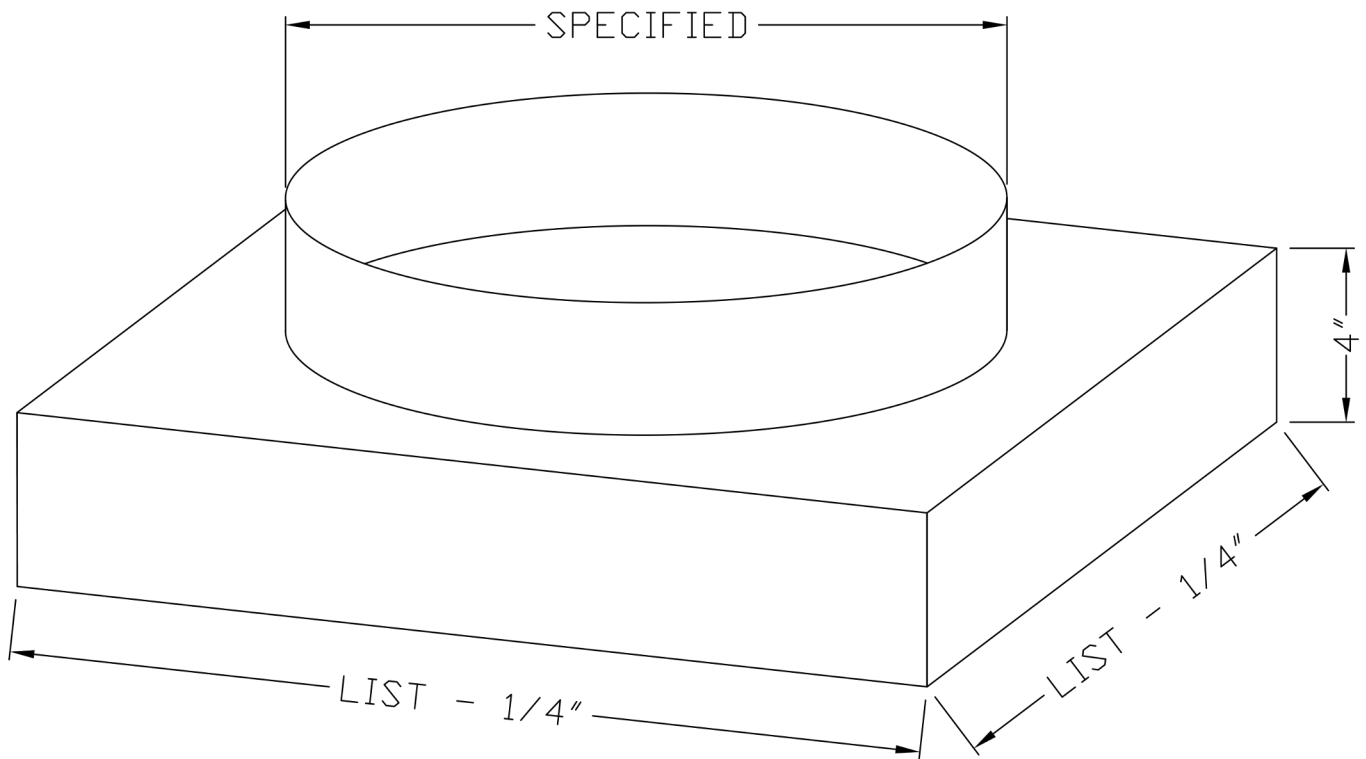


## DSSR | Square to Round Adaptor



- Square to round adapter allows connections from square/rectangular ductwork to round.
- Manufactured from 26 gauge sheet metal.
- Rectangular dimension available on 1" increments.
- Round dimension available on 2" increments from as small as 4" to as large as 20" in diameter. Round must be 2" smaller than both rectangular dimensions.



**1. Specify the Round Diameter**

- |                              |                              |
|------------------------------|------------------------------|
| <input type="checkbox"/> 4"  | <input type="checkbox"/> 12" |
| <input type="checkbox"/> 6"  | <input type="checkbox"/> 14" |
| <input type="checkbox"/> 8"  | <input type="checkbox"/> 16" |
| <input type="checkbox"/> 10" | <input type="checkbox"/> 18" |
|                              | <input type="checkbox"/> 20" |

**2. Specify the Length x Height Dimensions**

Inches    MM \_\_\_\_\_ x \_\_\_\_\_

**3. Select a Lead Time**

- 3 Day Ship
- Next Friday
- Standard Delivery



Project / Location: _____
Architect: _____
Engineer: _____
Contractor: _____

