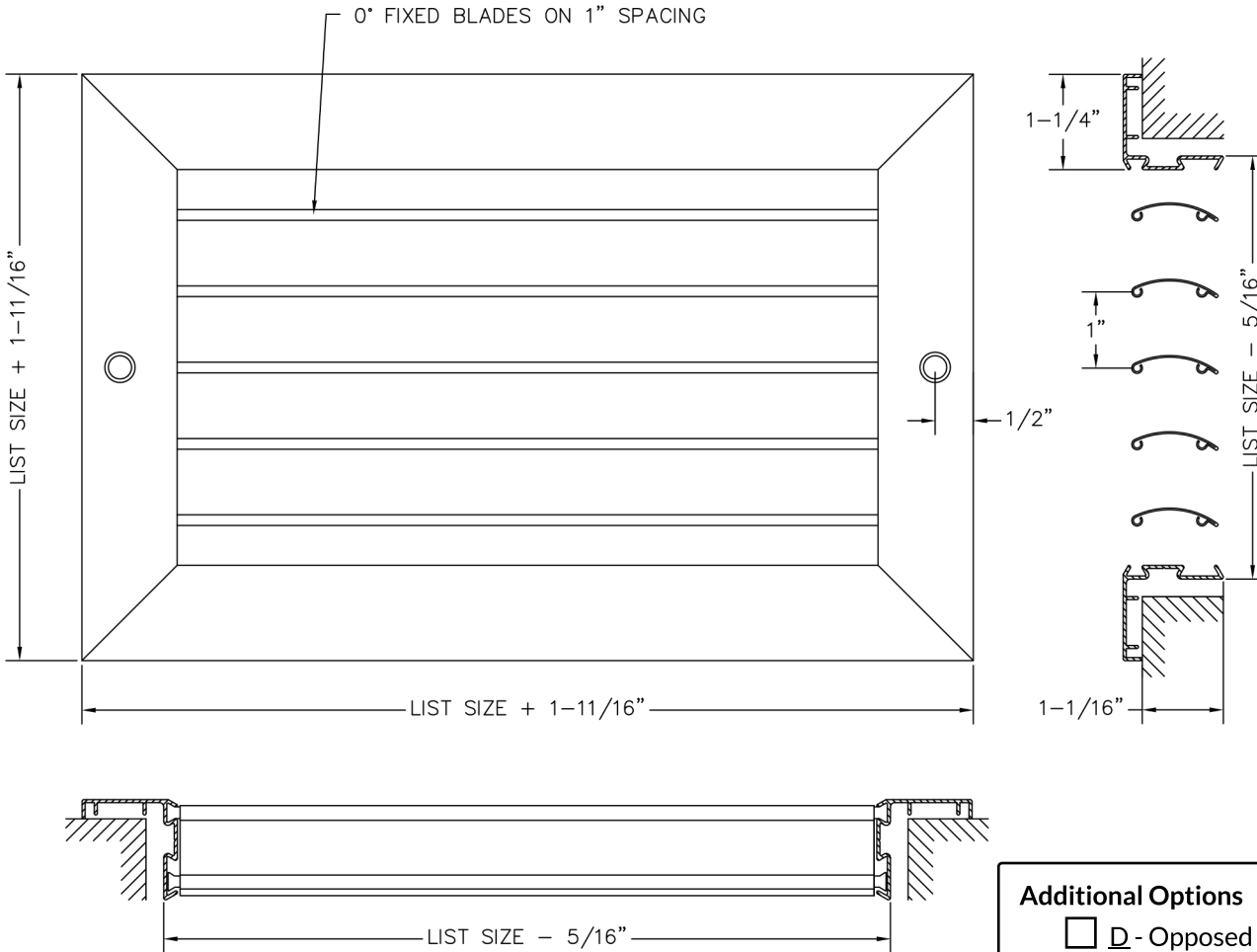


## DARH1-S | Return Air Grille w/ 0° Deflection & 1" Blade Spacing



- Horizontal blades fixed on 0° deflection with 1" spacing.
- Roll-formed aluminum blades provide stylish appearance.
- Pressure-fit nylon pivot pins provide rattle free performance.
- High quality aluminum extruded frame.
- Countersunk #6 screw hole mounting c/w painted screws.
- Mullions used for sizes over 22" in length.
- Available on 2" increments as standard. Custom sizes available down to 1/16" increments.
- Available with durable powder coat finish.



**3 DAY SHIP**  
ANY SIZE. ANY MODEL.  
GUARANTEED

- Additional Options**
- D** - Opposed Blade Damper
  - TB** - No Screw Holes
  - IS** - Insect Screen
  - AA** - All Aluminum

**1. Specify the Length x Height Dimensions**

Inches      MM \_\_\_\_\_ x \_\_\_\_\_

**2. Select a Finish**

- W White
- S Silver
- M Mill

**3. Select a Lead Time**

- 3 Day Ship
- Next Friday
- Standard Delivery

**Project / Location:** \_\_\_\_\_

**Architect:** \_\_\_\_\_

**Engineer:** \_\_\_\_\_

**Contractor:** \_\_\_\_\_

