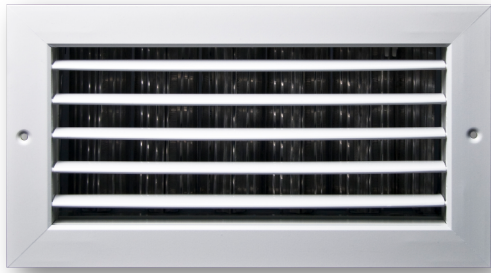
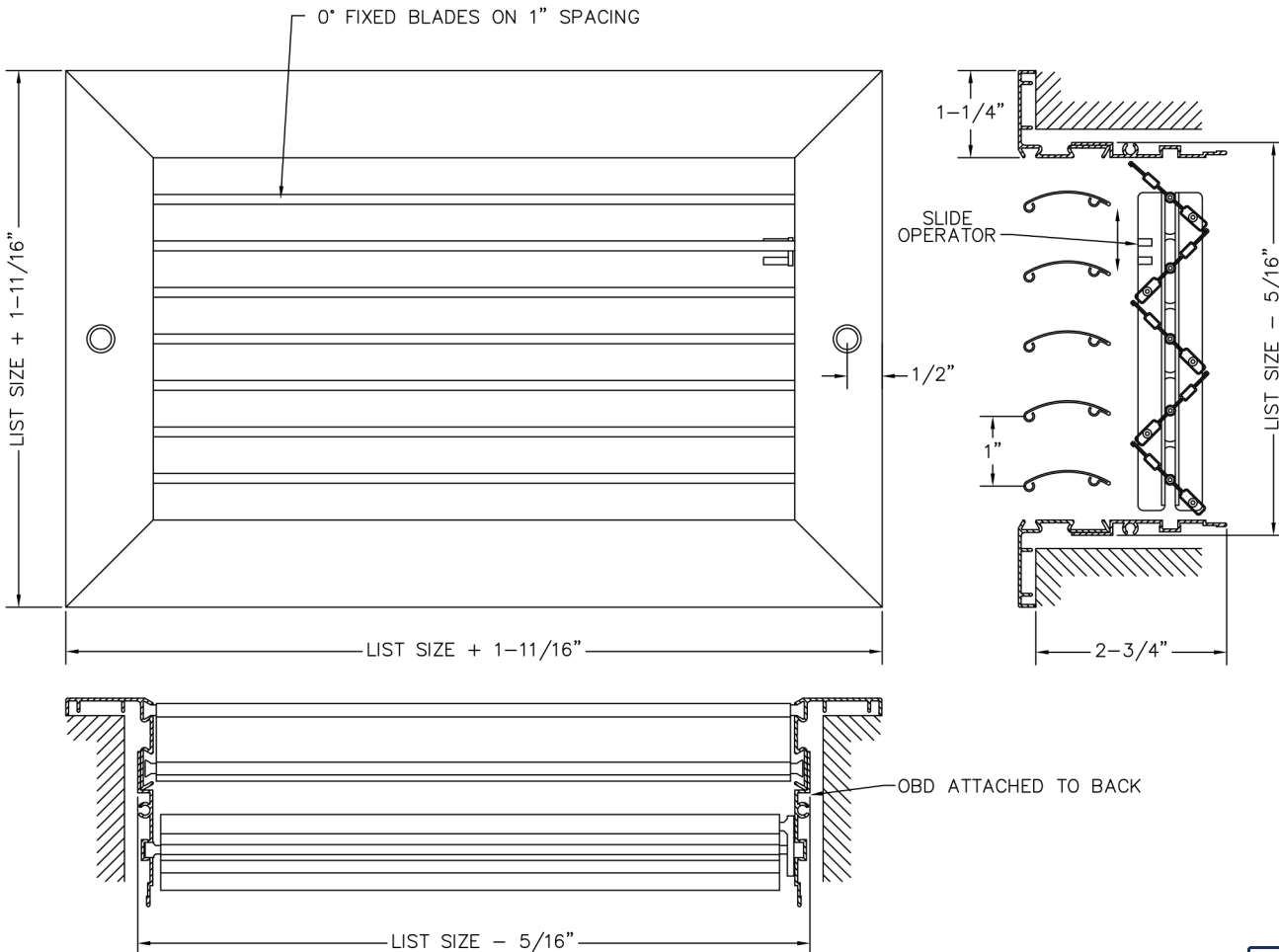


DARH1-SD

Return Air Register
w/ 0° Deflection & 1" Blade Spacing



- Horizontal blades fixed on 0° deflection with 1" spacing.
- Opposed blade damper with slide operator.
- Roll-formed aluminum blades provides stylish appearance.
- Pressure-fit nylon pivot pins provide rattle free performance.
- High quality aluminum extruded frame.
- Countersunk #6 screw hole mounting c/w painted screws.
- Mullions used for sizes over 22" in length.
- Available on 2" increments as standard. Custom sizes available down to 1/16" increments.
- Available with durable powder coat finish.



1. Specify the Length x Height Dimensions

Inches MM _____ x _____

2. Select a Finish

- W White
- S Silver
- M Mill

3. Select a Lead Time

- 3 Day Ship
- Next Friday
- Standard Delivery



Project / Location: _____
 Architect: _____
 Engineer: _____
 Contractor: _____

