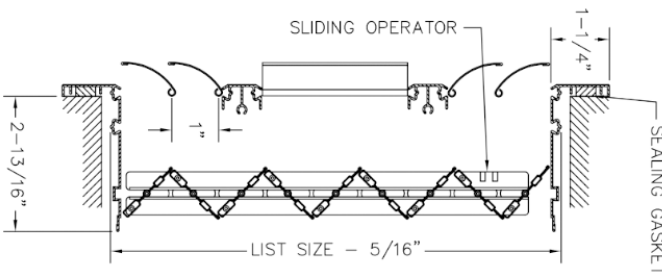
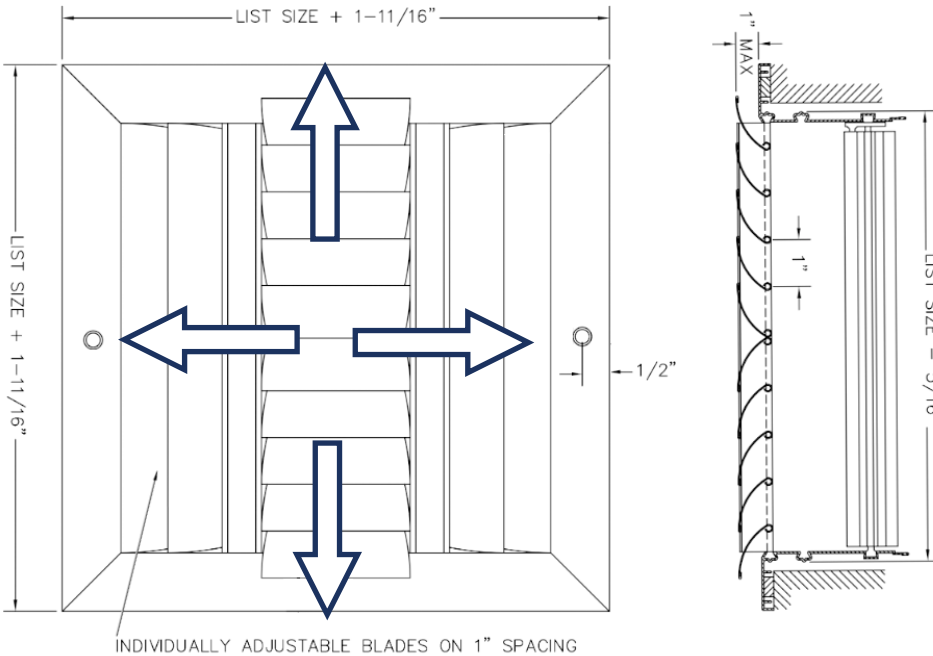




- Horizontal and vertical, adjustable curved blades with 1" spacing.
- Opposed blade damper with slide operator.
- Pressure-fit nylon pivot pins provide rattle free performance.
- High quality aluminum extruded frame and roll-formed aluminum blades.
- Countersunk #6 screw hole mounting c/w painted screws.
- Mullions used for sizes over 22" in length.
- Available on 2" increments as standard. Custom sizes available down to 1/16" increments.
- Available with durable powder coat finish.



**3 DAY SHIP**  
ANY SIZE. ANY MODEL.  
GUARANTEED

**Additional Options**

TB - No Screw Holes

AA - All Aluminum

**1. Specify the Length x Height Dimensions**

Inches  MM \_\_\_\_\_ x \_\_\_\_\_

**2. Select a Finish**

W - White

S - Silver

M - Mill

**3. Select a Lead Time**

3 Day Ship

Next Friday

Standard Delivery

**Project / Location:** \_\_\_\_\_

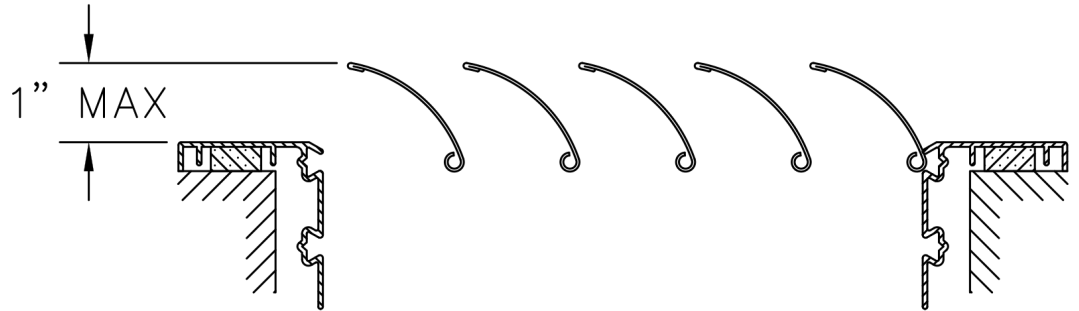
**Architect:** \_\_\_\_\_

**Engineer:** \_\_\_\_\_

**Contractor:** \_\_\_\_\_

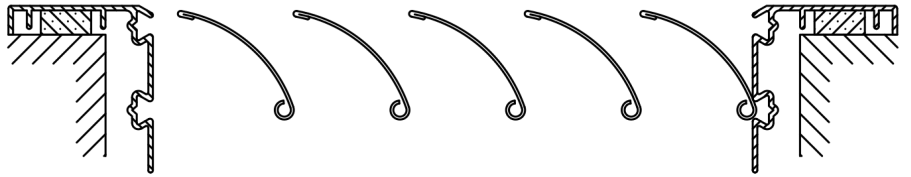
## BLADE OPTIONS

**Standard**  
No additional option



Standard Blade option can extend up to 1" out of the frame.

**-R**  
Recessed Blades



**-F**  
Fixed Blades

