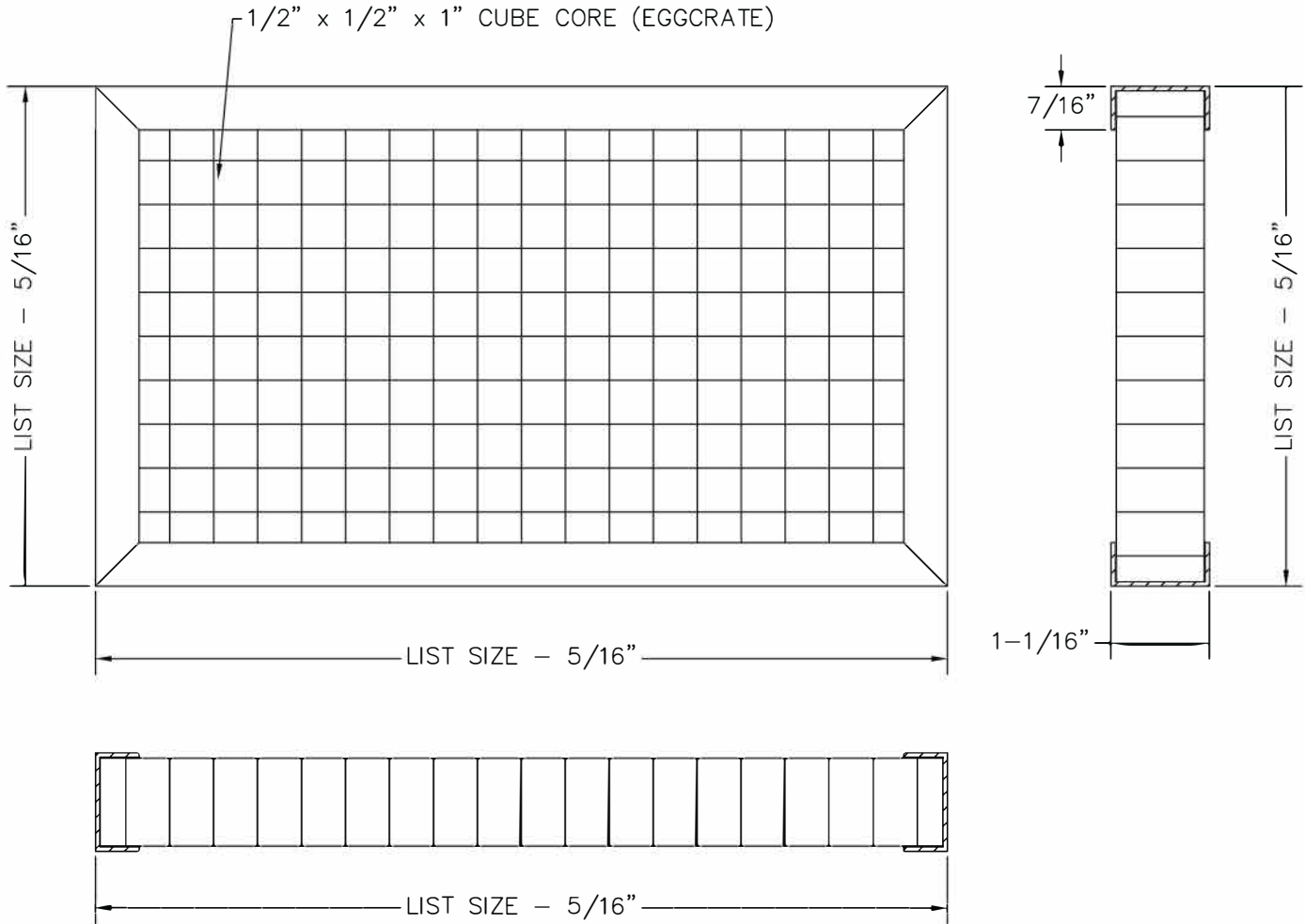


- $\frac{1}{2}$ " x $\frac{1}{2}$ " x 1" aluminum eggcrate core.
- Aluminum U-Frame designed to protect core edges.
- Available on 2" increments as standard. Custom sizes available down to 1/16" increments.
- Available with durable powder coat finish.



1. Specify the Length x Height Dimensions

Inches MM _____ x _____

2. Select a Finish

- W White
- S Silver
- M Mill

3. Select a Lead Time

- 3 Day Ship
- Next Friday
- Standard Delivery



Project / Location: _____

Architect: _____

Engineer: _____

Contractor: _____

